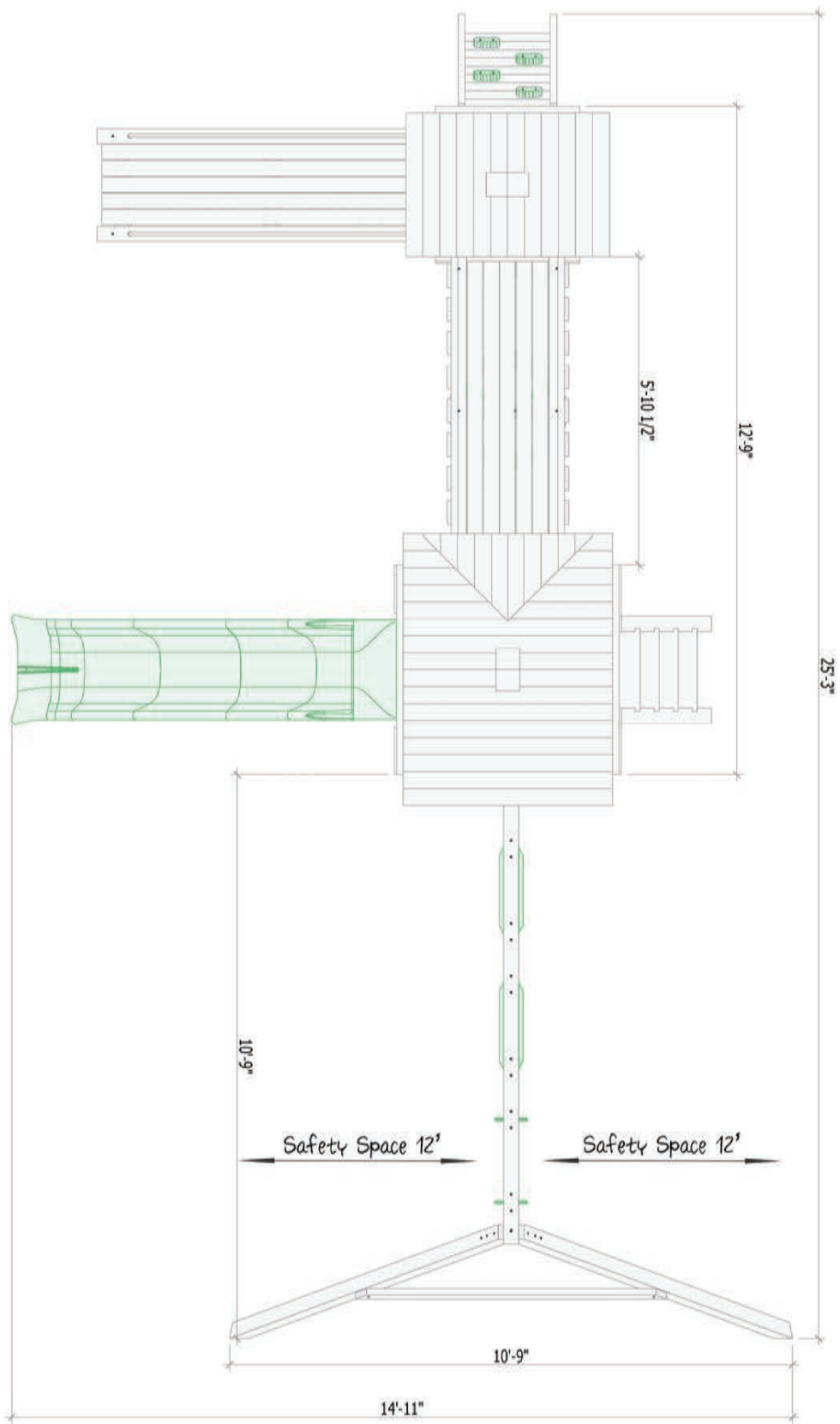


Triumph Play Systems



Festival Four Assembly Directions



Leave 6' For Safe Exit

Festival Four

Triumph Play Systems
15 Maple Ave
Ashburnham, MA



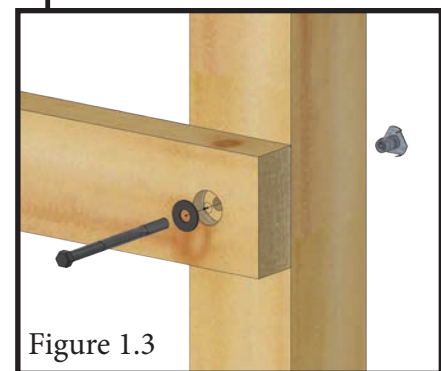
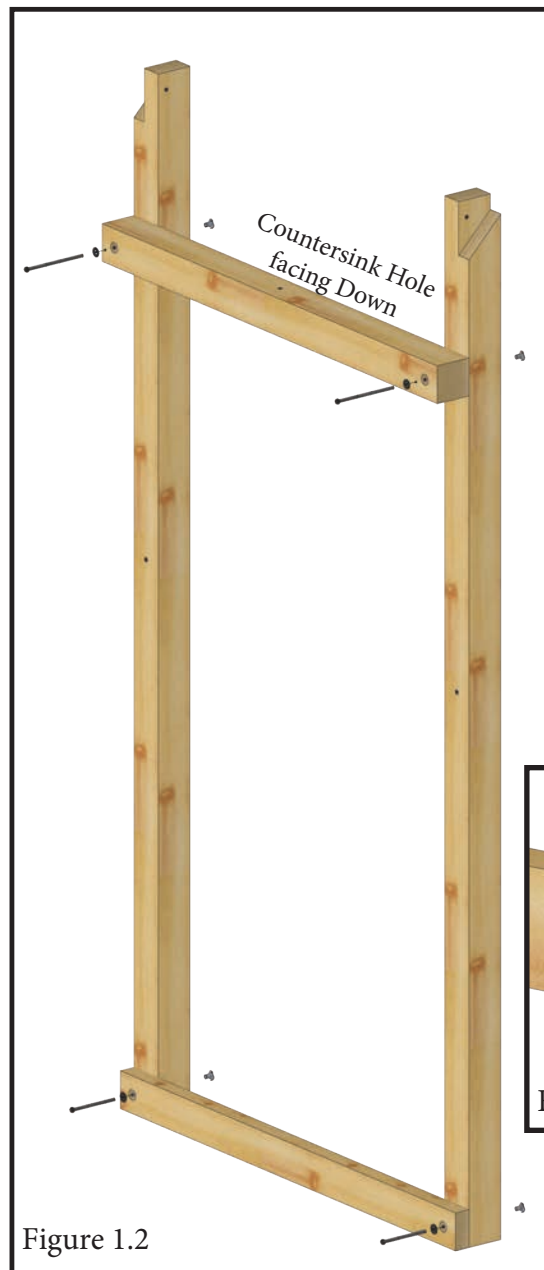
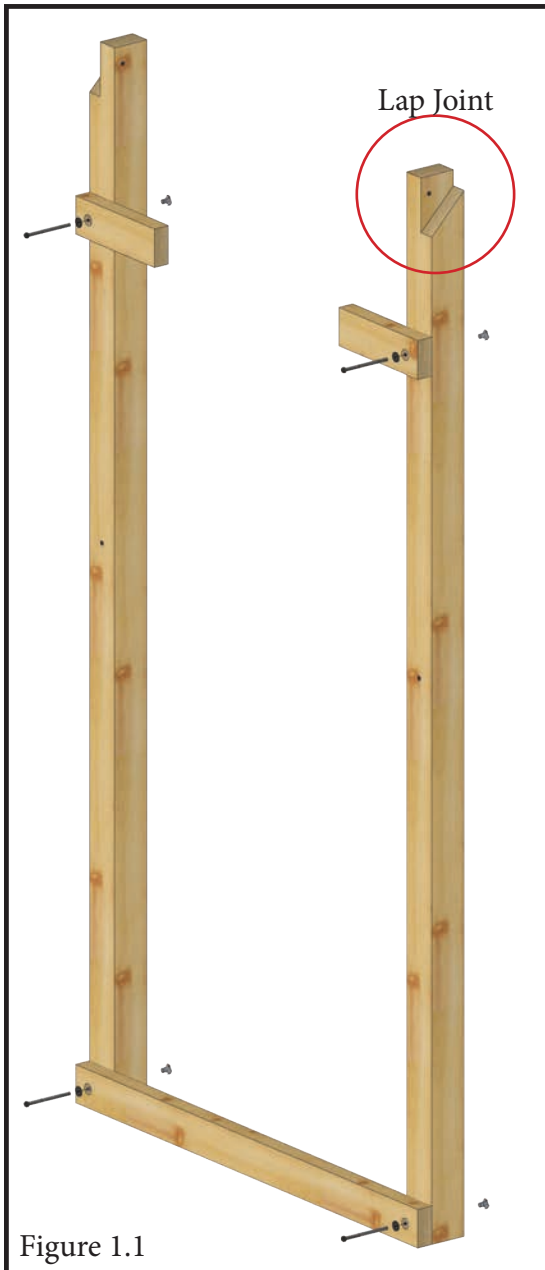
Step One: Side Wall Assemblies

1.1 With a hammer, insert T-Nuts into Corner Post - L (2) and Corner Post - R (2) as shown in Figure 1.3. **Note direction of the Lap Joints at the top of the posts.**

1.2 Fasten Top Support 48" (2) to the bottom of Corner post with 5/16 x 4-1/2 Hex Bolts with 5/16 washer as shown in Figure 1.1 and 1.2. Tighten until T-Nuts are flush with surface.

1.4 Fasten Top Support 12" (2) to Corner Post with 5/16 x 4-1/2 Hex Bolts with 5/16 washer as shown in Figure 1.1. Tighten until T-Nuts are flush with surface.

1.5 Fasten Swing Beam Support to Corner Post with 5/16 x 6 Hex Bolts with 5/16 washer as shown in Figure 1.2. **Make sure the Countersink hole in center is facing down.**



Step Two: Deck Supports

2.1 With a hammer, insert T-Nuts into the outside of Corner Post - L and Corner Post - R as shown in Figure 2.1.

2.2 Fasten Deck Support to Corner Post with 5/16 x 6 Hex Bolts with 5/16 washer. Tighten until T-nuts are flush with surface.

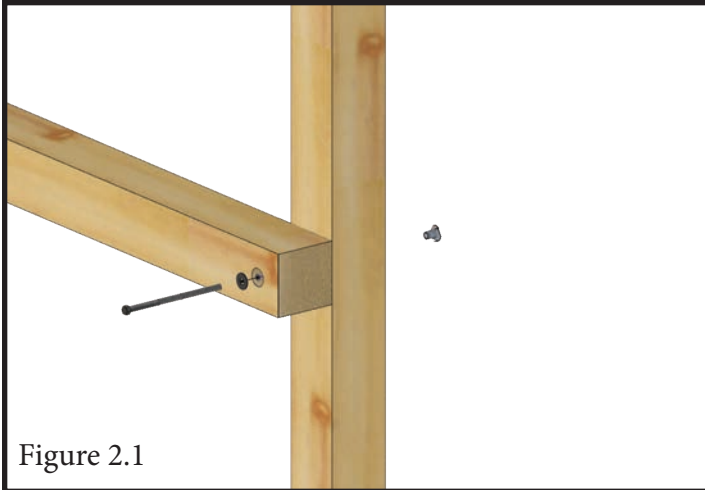


Figure 2.1

2.3 Pre-drill and Fasten Deck Boards 41" to Deck Supports with #8x2-1/2 Screws (4 each) as shown in Figure 2.3.

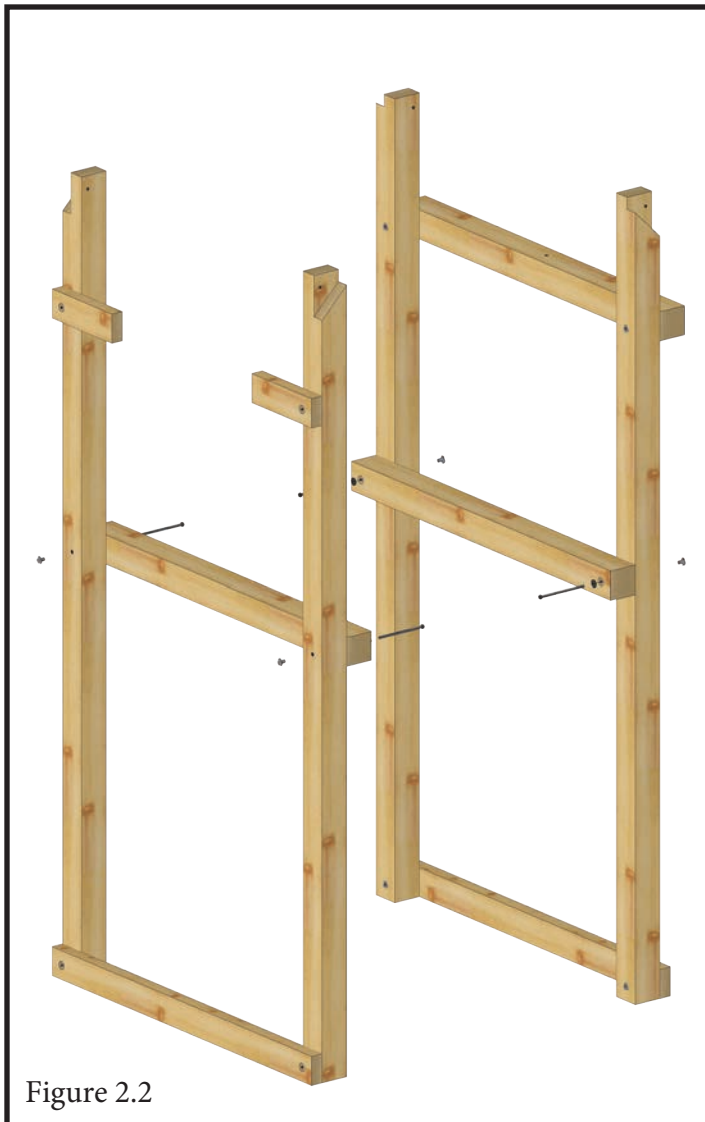


Figure 2.2



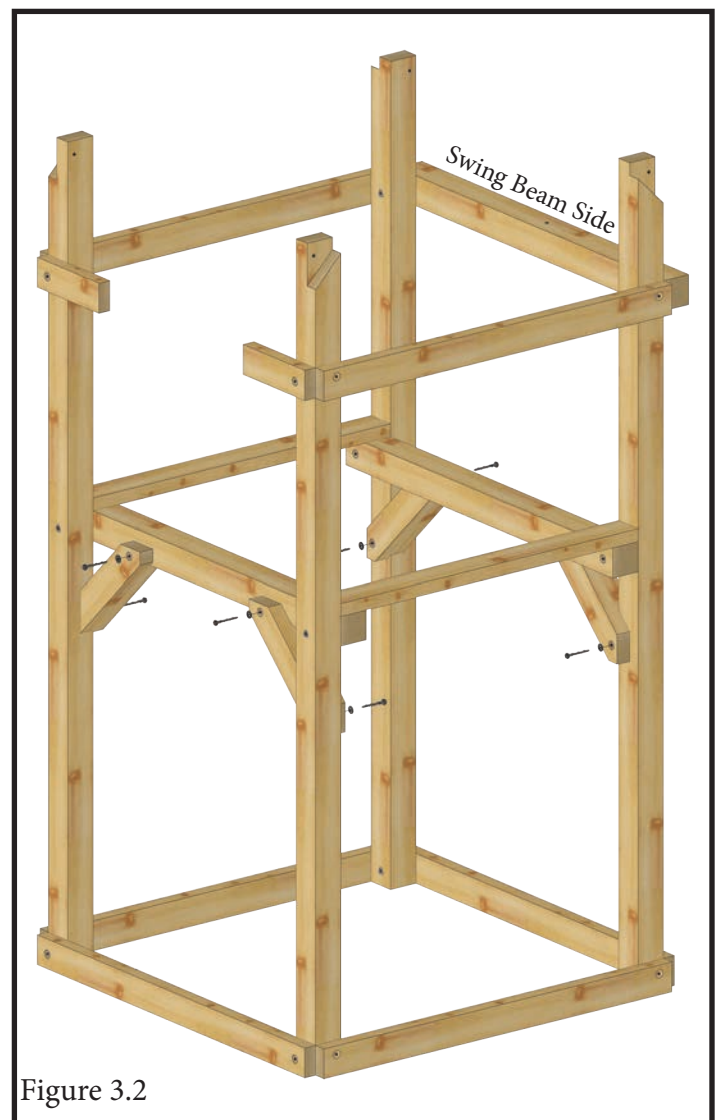
Figure 2.3

Step Three:

3.1 Fasten Top Panel Offset 48" (4) to Corner Post with 5/16 x 3 Lag Bolt with 5/16 washer as shown in Figure 3.1. Drive lags until washer starts to "sink" into wood.

3.2 Place the tower in desired location. Check for square, level under the frame and check the posts for plumb.

3.3 Fasten Slim Sams (4) to Corner Posts and Deck Supports with 5/16 x 3 Lag Bolts with 5/16 washer as shown in Figure 3.2.



Step Four: Lower Walls

4.1 Measure up from ground 22-1/2 inches and mark the corner posts.

4.2 Fasten Top Panel Offset 48" (3) to Corner Post with 5/16 x 3 Lag Bolts with 5/16 washer as shown in Figure 4.0. Be sure to flip the orientation as you go to avoid the lags colliding in each corner post.

4.3 Fasten Top Support 12" to Corner Post with 5/16 x 3 Lag Bolts with 5/16 washer as shown in Figure 4.0.

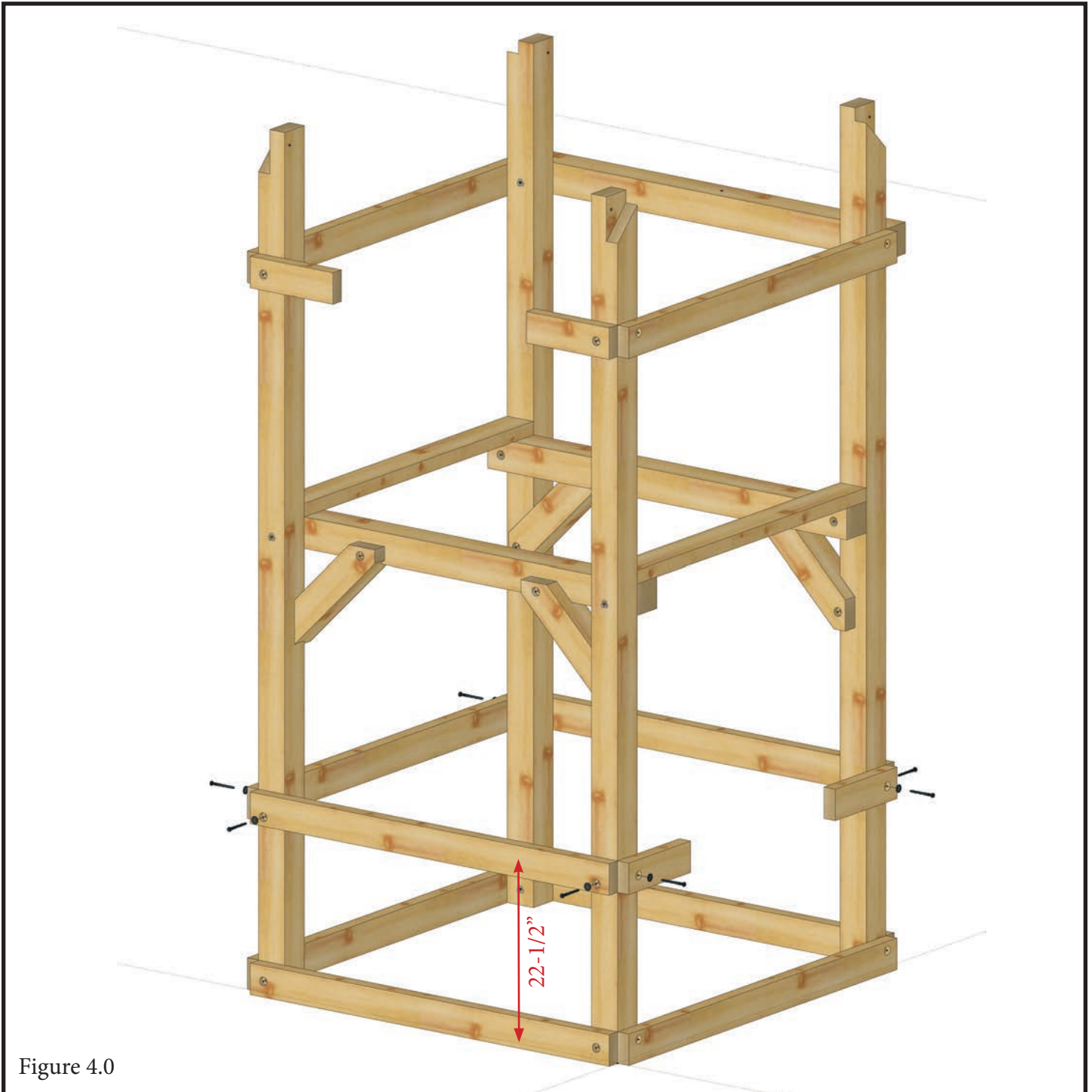


Figure 4.0

Step Five: Lower Wall Slats

5.1 Pre-drill and fasten Slat 22.5 to Top Panels with #8x2 screws as shown in Figure 5.0. (Spacing between slats is about 2-1/4")

5.2 Pre-drill and fasten Counter 48" to Top Panels with #8x2 screws as shown in Figure 5.1.

5.3 Pre-drill and fasten Counter 12" to Top Panel 12" with #8x2 screws as shown in Figure 5.1.



Figure 5.0

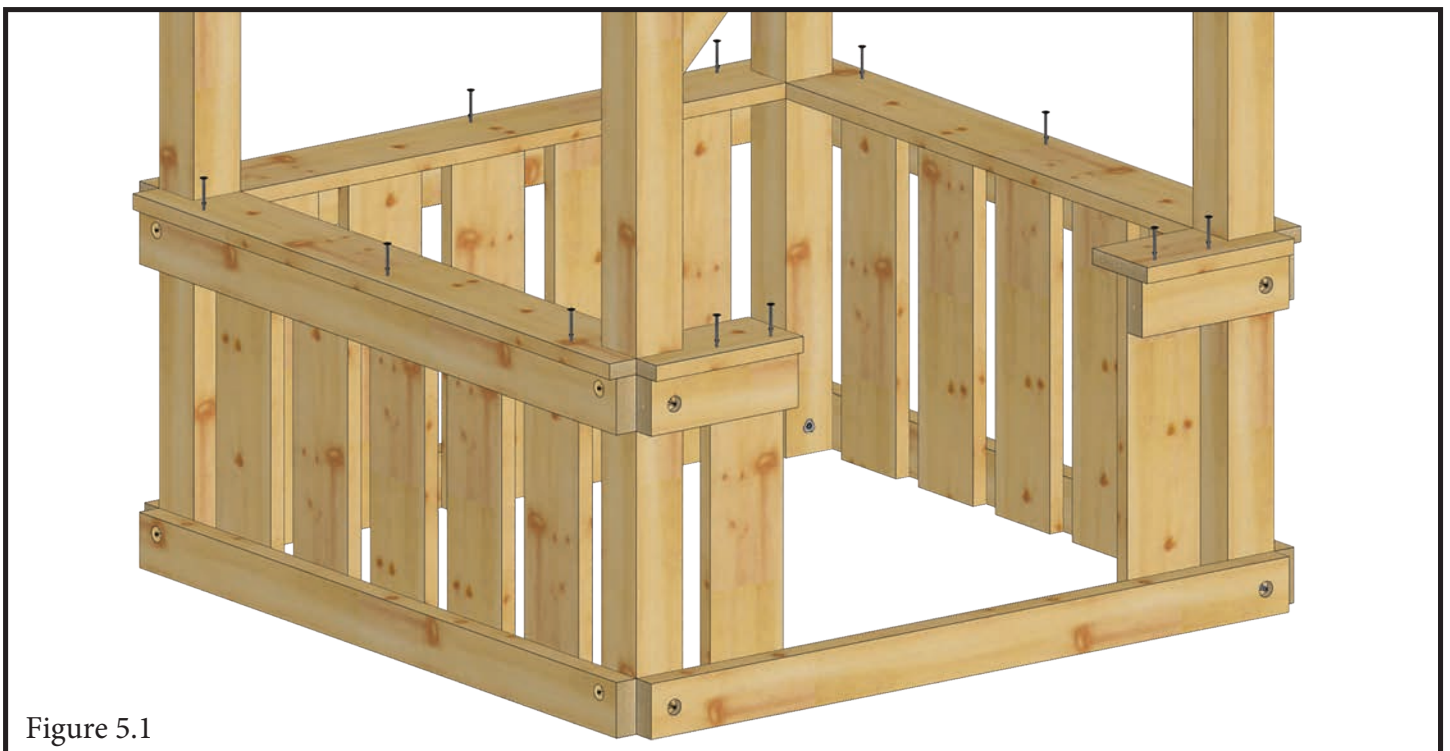


Figure 5.1

Step Six: Deck Boards

6.1 Pre-drill and evenly space out deck board 48".

6.2 Fasten Deck Boards 48" to Deck Supports with #8x2-1/2" screws (4 each) as shown in Figure 6.1.



Figure 6.0 Shows how to use the screws for spreading out deck boards with even spacing.

Step Seven: Wall Slats

7.1 Pre-drill the top of the Pocket Slat 28”.

7.2 With roughly 2-1/4” spacing between slats, fasten the Pocket Slat 28” Boards down to the decks with 2” Screws as shown in Figure 7.2.

7.3 Fasten the top of the Pocket Slat 28” with 2” Screws as shown in Figure 7.1.



Figure 7.1



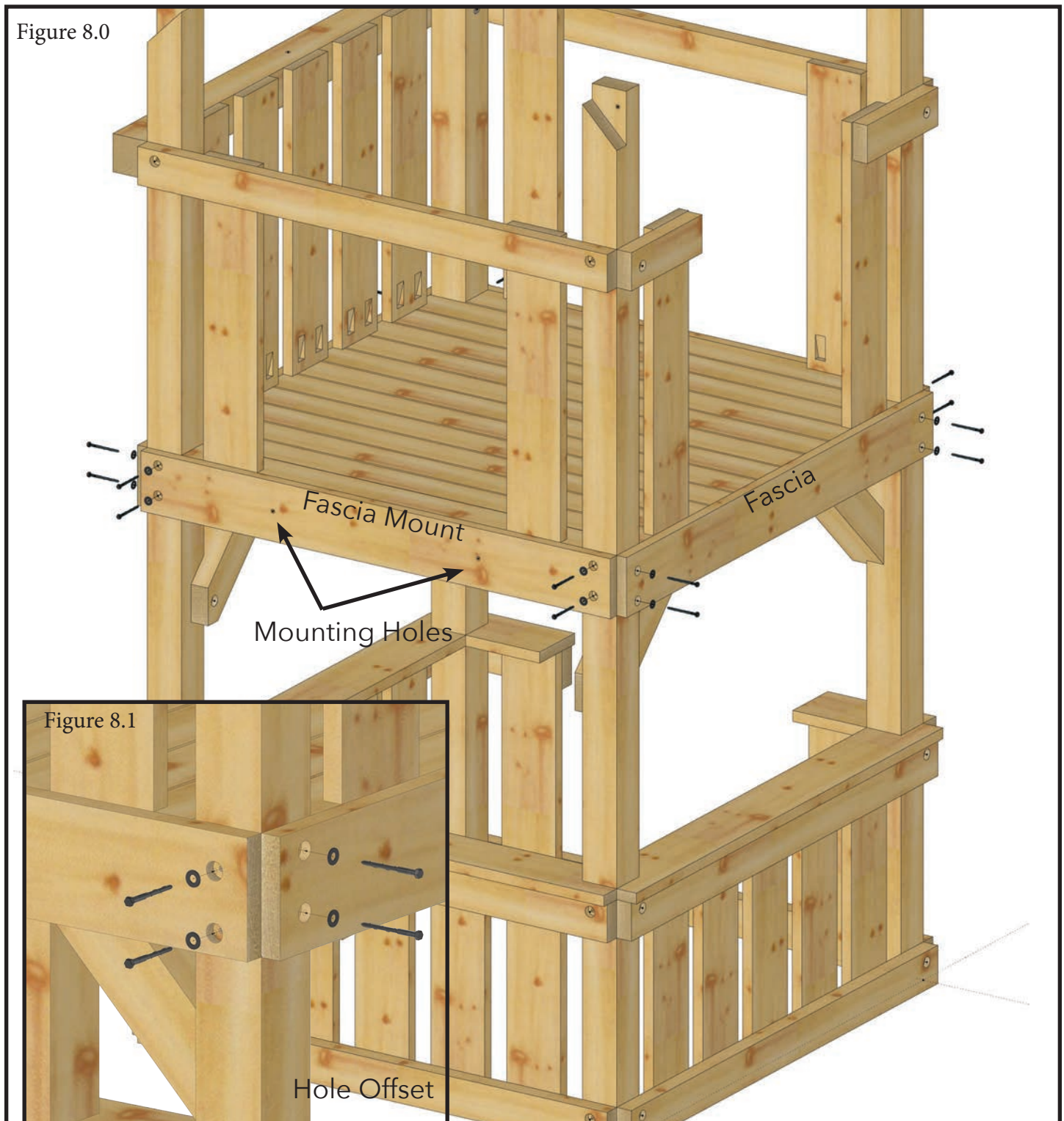
Figure 7.2 Shows how the large pockets allow for angling the screws to ensure alignment into the deck boards.

Figure 7.2

Step Eight: Fascia Boards

8.1 Fasten Fascia (3) to Corner Post with 1/4 x 2-1/2 Lag Bolts with 1/4 washer as shown in Figure 8.0.

8.2 Fasten Fascia Mount (1) to Corner Post with 1/4 x 2-1/2 Lag Bolts with 1/4 washer as shown in Figure 8.0. Mind the offset pattern as shown in Figure 8.1. The Fascia Mount will accept the ladder and can go on either the front or the back.



Step Nine: Rock Wall Pre-Assembly

9.1 Measure up from the bottom (back) of Rock Wall Runners 2-3/8" and Mark.

9.2 Pre-drill and fasten Slat 22.5" (9) to Rock Wall Runners with 2" Screws.

Figure 9.1

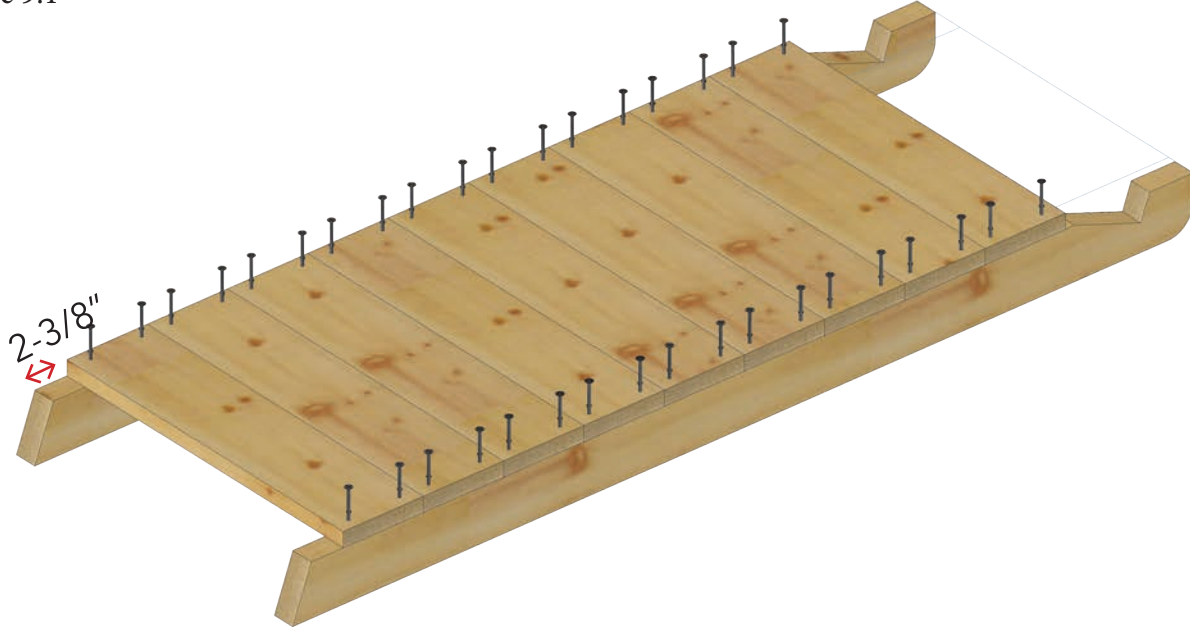


Figure 9.2



9.3 Place plastic Rocks in desired positions.

9.4 With a 3/8 drill bit, drill holes through the rock and the slat.

9.5 Hammer in T-Nuts to back of the wall.

9.6 Fasten plastic rocks with 5/16" x 1-1/2" hex bolts with 5/16" washers.

Step Ten: Ladder Pre-Assembly

10.1 Place Ladder Steps into Dado pockets of Ladder Runners as shown in Figure 10.0.

10.2 Pre-drill and fasten Steps with 4" Screws as shown in Figure 10.1.

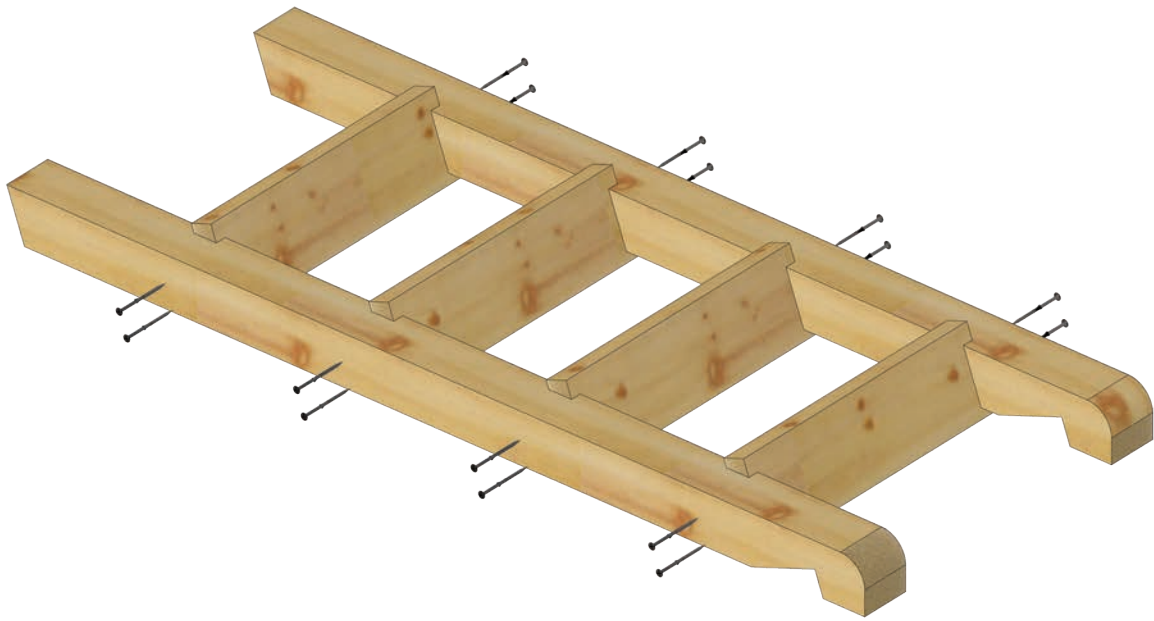


Figure 10.0



Figure 10.1

Step Eleven: Attaching the Ladder

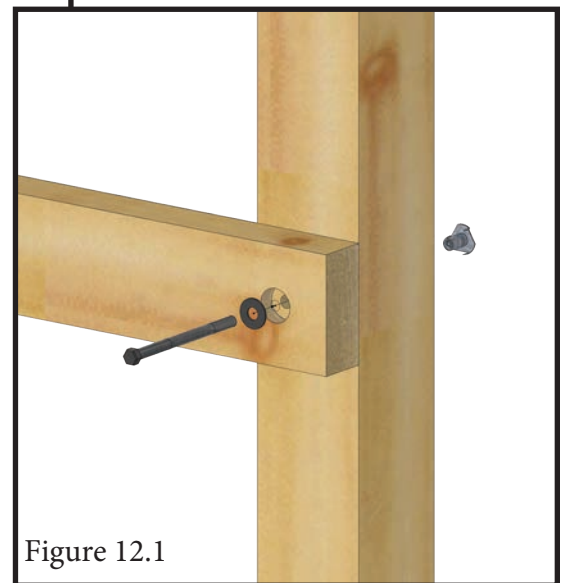
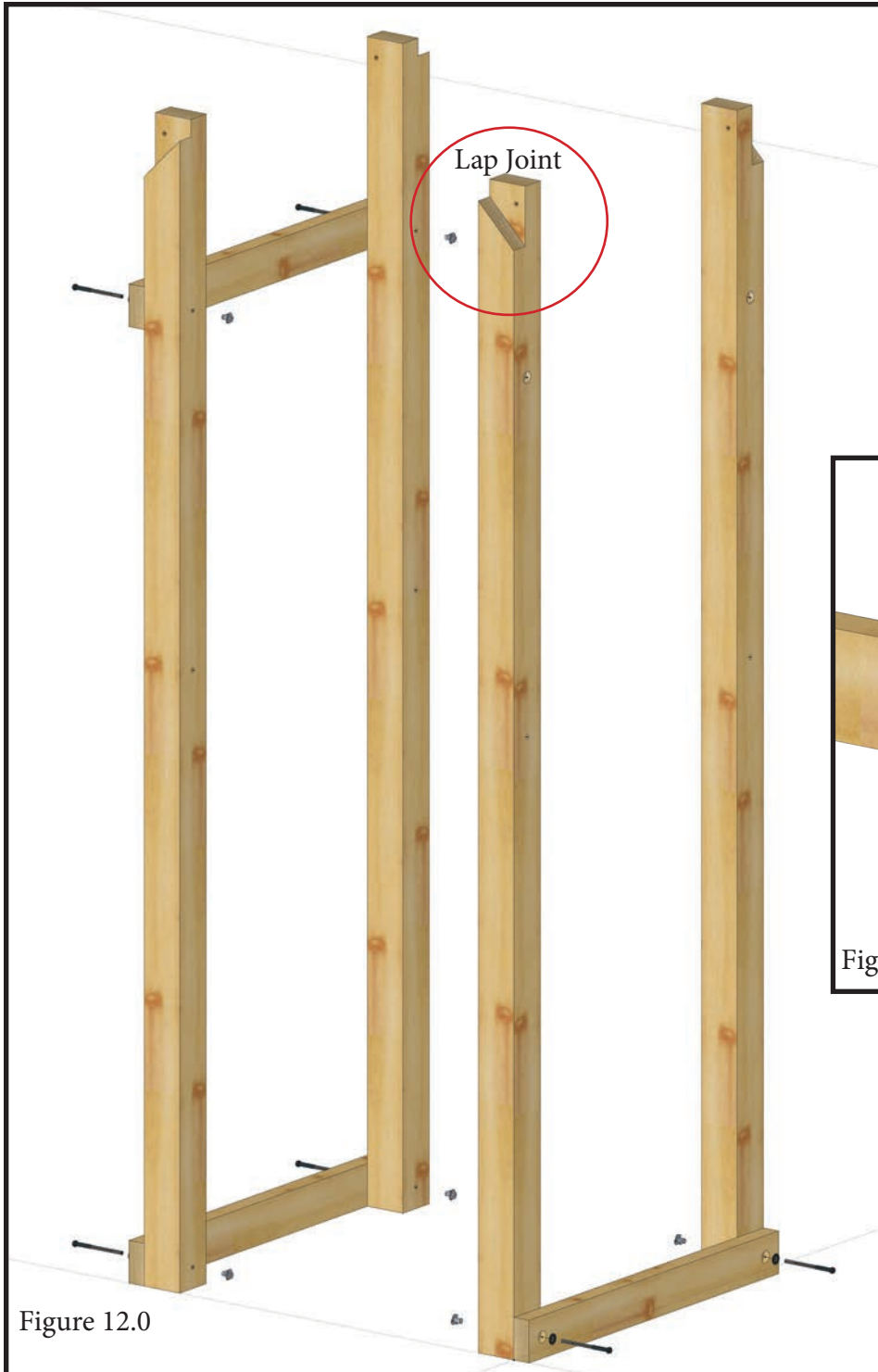
11.1 Fasten Ladder Assembly to Fascia Mount with 5/16" x 3" Lag Bolts with 5/16" washer as Shown in Figure 11.2.



Step Twelve: Tower Side Wall Assembly

12.1 With a hammer, insert T-Nuts into Corner Post - L and Corner Post - R as shown in Figure 12.1. Note direction of the Lap Joints at the top of the posts.

12.2 Fasten Top Support 33" (3) to Corner post with 5/16 x 4-1/2 Hex Bolts with 5/16 washer as shown in Figure 12.0 and 12.1. Tighten until T-Nuts are flush with surface.

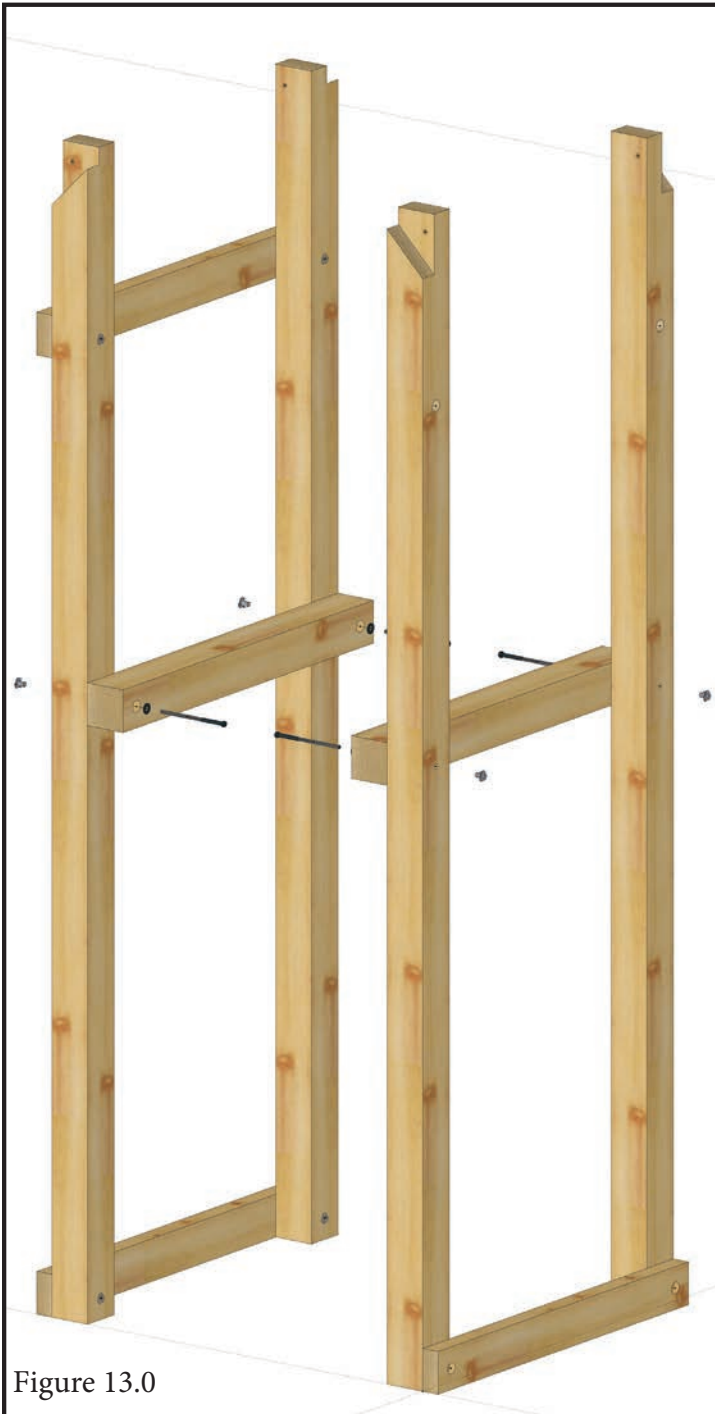


Step Thirteen: Tower Deck Supports

13.1 With a hammer, insert T-Nuts into the outside of Corner Post - L and Corner Post - R as shown in Figure 13.0.

13.2 Fasten Deck Support 33" to Corner Post with 5/16 x 6 Hex Bolts with 5/16 washer.

13.3 Pre-drill and Fasten Deck Boards 26" to Deck Supports with #8x2-1/2 Screws (4 each) as shown in Figure 13.1.



Step Fourteen:

14.1 Fasten Top Panel Offset 33" (3) to Corner Post with 5/16 x 3 Lag Bolts with 5/16 washer as shown in Figure 14.1. Drive lags until washer starts to sink into wood.

14.2 Place the tower in desired location. Check for square, level under the frame and check the posts for plumb.

14.3 Fasten Slim Sams (4) to Corner Posts and Deck Supports with 5/16 x 3 Lag Bolts with 5/16 washer as shown in Figure 14.2.



Step Fifteen: Tower Decks and Walls

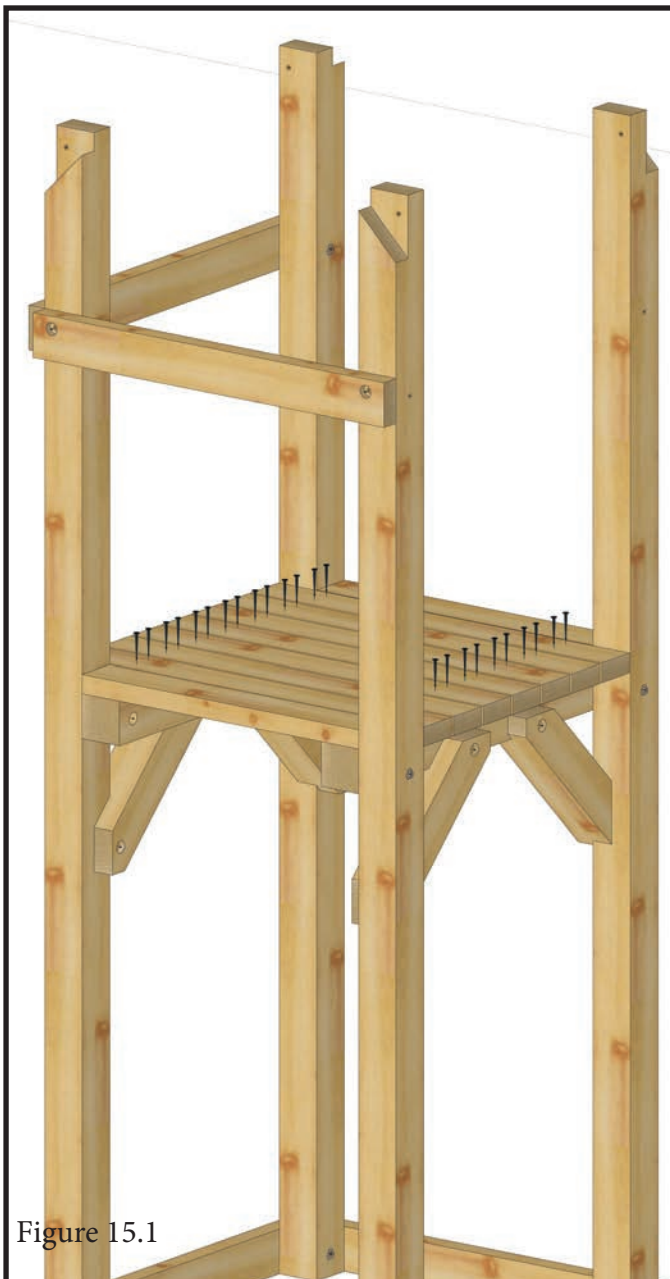
15.1 Pre-drill and evenly space out deck board 33".

15.2 Fasten Deck Board 33" to Deck Supports with #8x2-1/2" screws (4 each) as shown in Figure 15.1.

15.1 Pre-drill the top of the Pocket Slat 28".

15.2 With roughly 2-1/4" spacing between slats, fasten the Pocket Slat 28" Boards down to the decks with 2" Screws as shown in Figure 15.2.

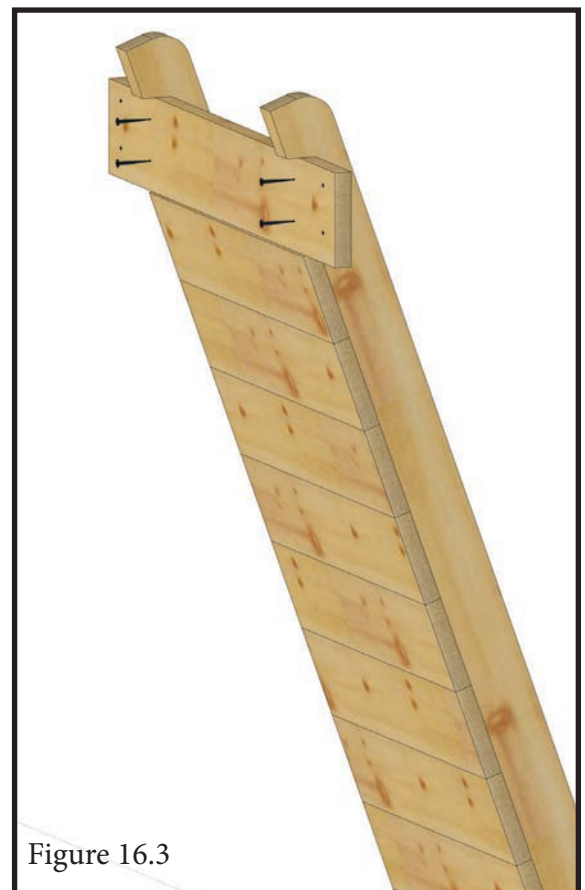
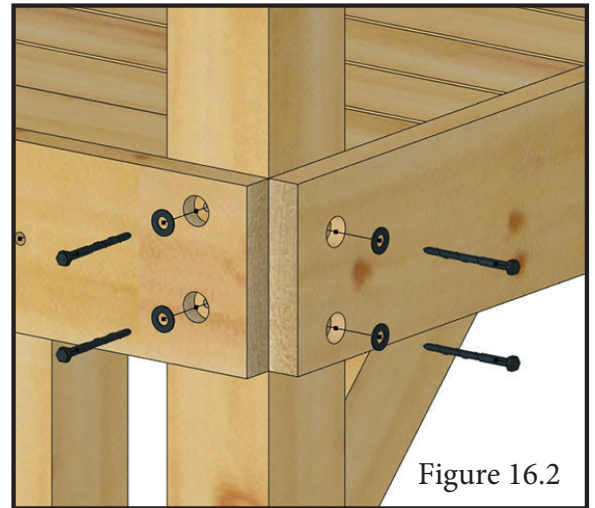
8.3 Fasten the top of the Pocket Slat 28" with 2" Screws as shown in Figure 15.2.



Step Sixteen: Tower Fascia Boards

16.1 Pre-drill and Fasten Fascia 33" to Rock Wall assembly with #8x2-1/2" screws as shown in Figure 16.3.

16.2 Fasten Fascia 33" (4) to Corner Post with 1/4 x 2-1/2" Lag Bolts with 1/4 washer as shown in Figure 16.1. Mind the offset pattern as shown in Figure 16.2.



Step Seventeen: Bridge Pre-assembly

17.1 Fasten GW Deck Supports (2) to Bridge Supports with 5/16 x 4-1/2 Hex Bolts and 5/16 washer into T-Nut as shown in Figure 17.1.

17.2 Fasten GW Tire Support to Bridge Supports with 5/16 x 4-1/2 Hex Bolts and 5/16 washer into T-Nut as shown in Figure 17.1.

17.3 Fasten Tire Swivel to GW Tire Support with 5/16 x 1-3/4 Hex Bolts and 5/16 washer into T-Nut as shown in Figure 17.1. Snap spring clip.

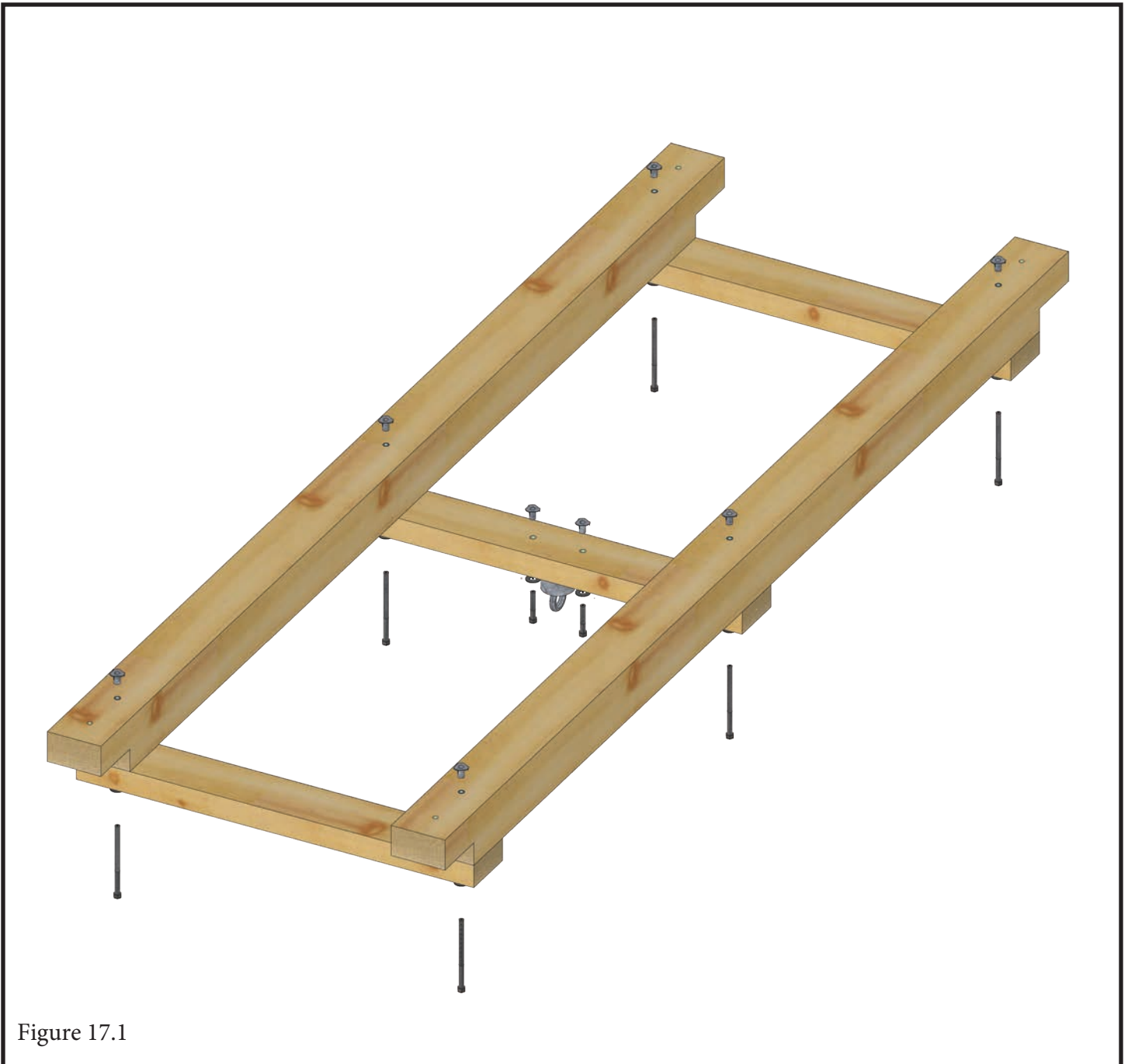


Figure 17.1

Step Eighteen: Bridge attachment

18.1 Fasten Bridge Assembly down into deck of both towers with 5/16 x 3 Lag Bolts with 5/16 washer. Note: The Towers need to be level with each other. Level Small Tower as needed.

18.2 Pre-drill and Fasten Bridge Rails to Top Support 12" with #8x2-1/2" screws as shown in Figure 18.1.

18.3 Fasten Bridge Rails to the Tower Posts with 5/16 x 3 Lag Bolts with 5/16 washer. Make sure the Rails are level with the Bridge Supports on both ends.



Figure 18.1

Step Nineteen: Bridge (continued)

19.1 Pre-drill and fasten Bridge Deck Boards down with 2-1/2" Screws as shown in Figure 19.1.

19.2 With roughly 2-1/4" spacing between slats, fasten the Pocket Slat 29.5" Boards down to the tower decks with 2" Screws as done in Step 7 and shown in Figure 19.2.

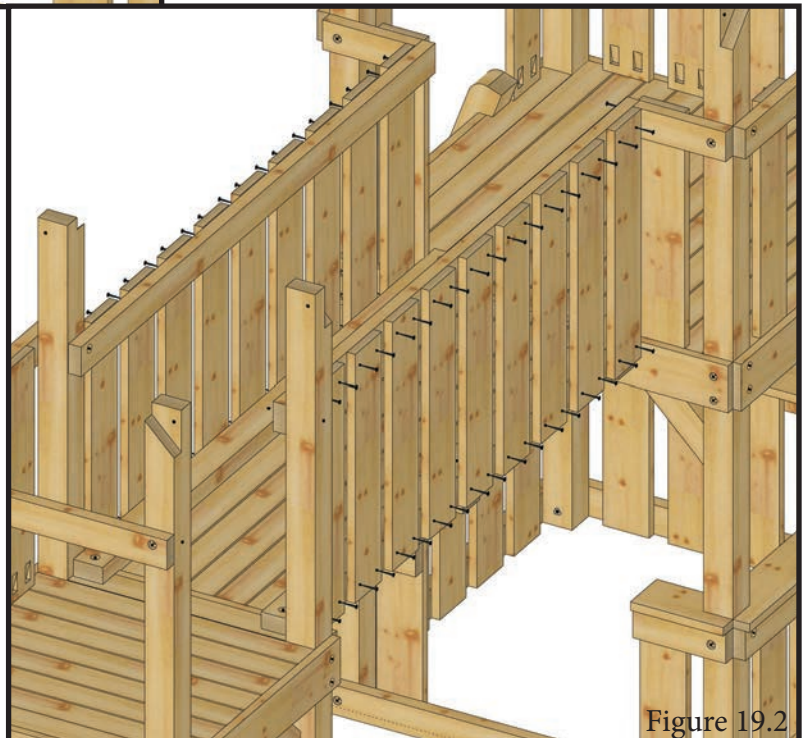
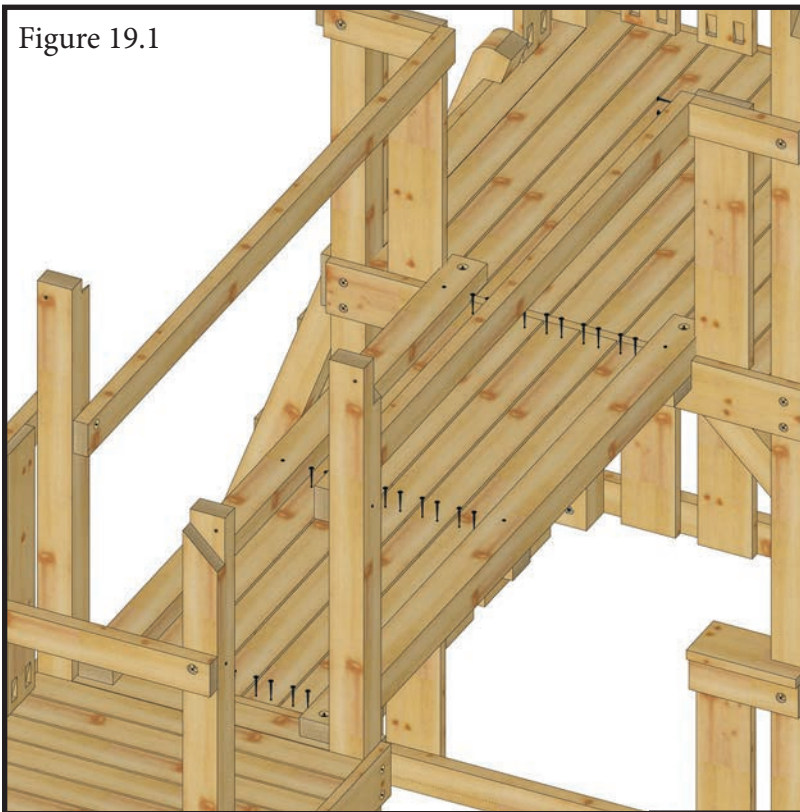


Figure 19.2

Step Twenty: Wood Roof

20.1 Fasten Roof Rafter-L and Roof Rafter-R to Roof Brace with 5/16" x 2" Hex Bolts with 5/16" washers into T-Nuts as shown in Figure 20.1. Repeat for opposite peak side.

20.2 Add two 2" screws to align each peak.

20.3 Fasten Rafter Assembly to Corner Post with 5/16" x 3" Hex Bolts with 5/16" washer into T-Nuts as shown in Figure 20.2.

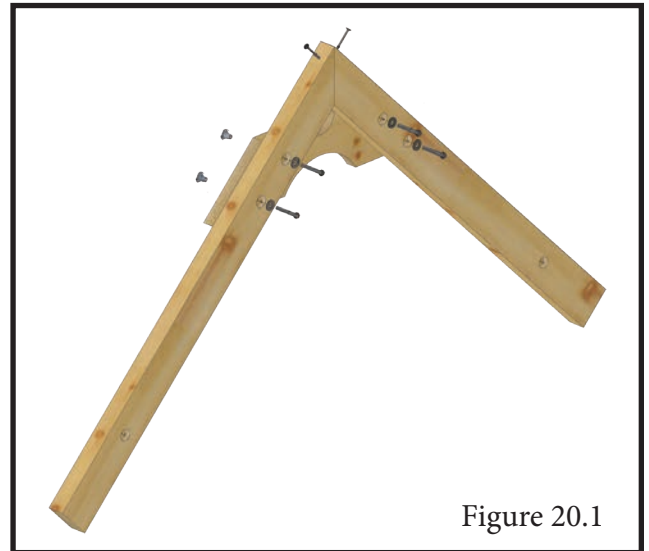


Figure 20.1

20.4 Pre-drill and fasten Roof Peak Boards to Rafter Assembly with 2" Screws as shown.

20.5 Pre-drill and fasten Cupola to Roof Peak 48" with 2" Screws as shown (2 per side).

20.6 Pre-drill and fasten Cupola Roof to Cupola with 2" Screws as shown (2 per side).

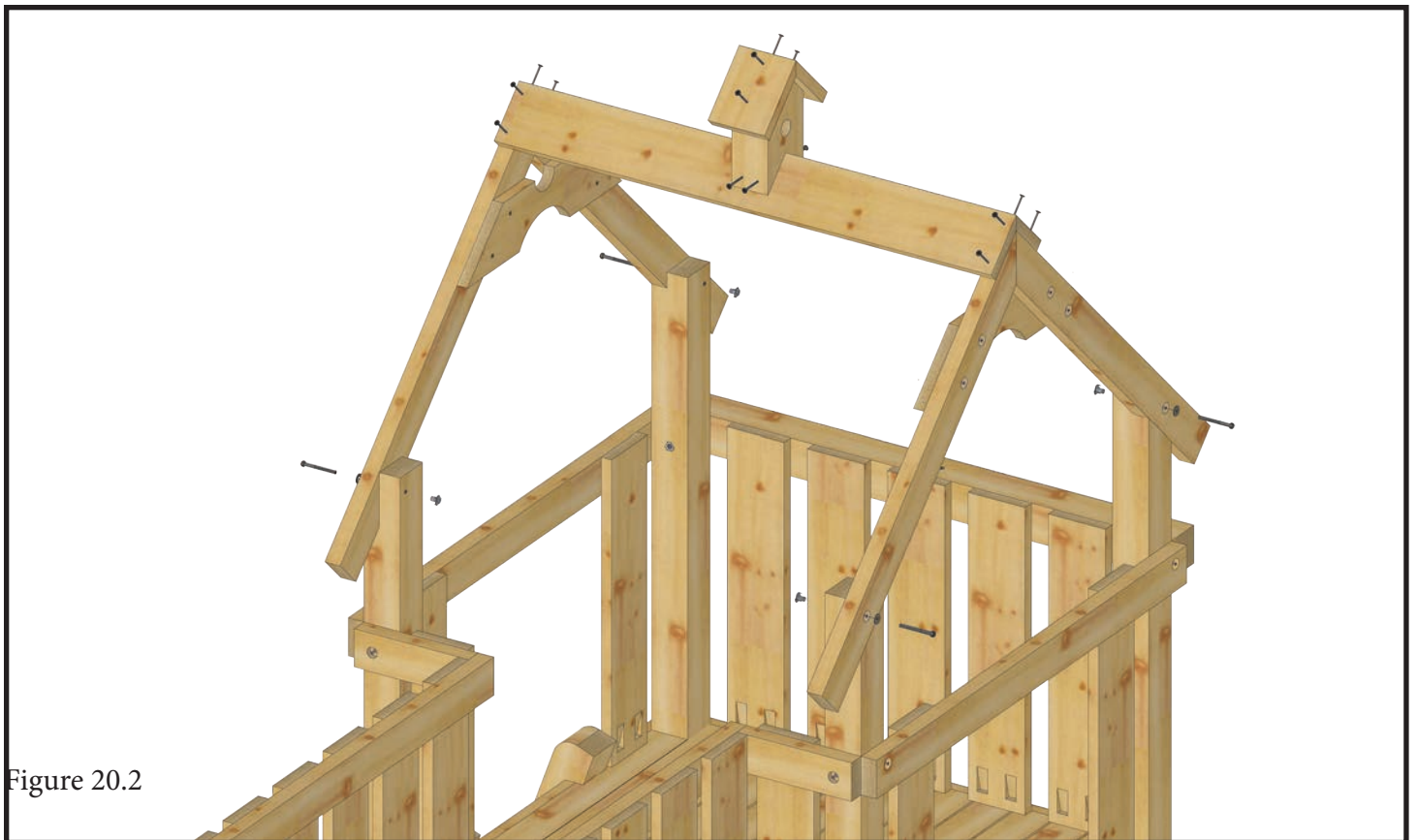


Figure 20.2

Step Twenty-One : Wood Roof (cont.)

21.1 Pre-drill and fasten remaining Roof Boards (7 on swing beam side and 4 on bridge side) to Rafter Assembly with 2" Screws.

21.2 Pre-drill and fasten Roof Cut Out 1, 2 and 3, in proper size order, to Rafter Assembly with 2" Screws as shown in Figure 21.1.

Figure 21.1

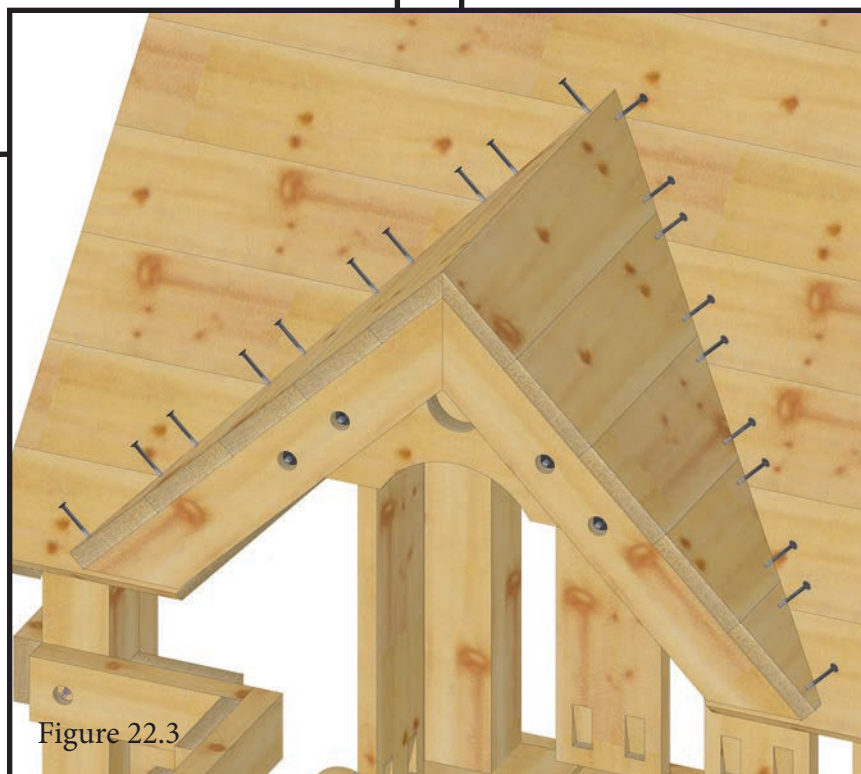
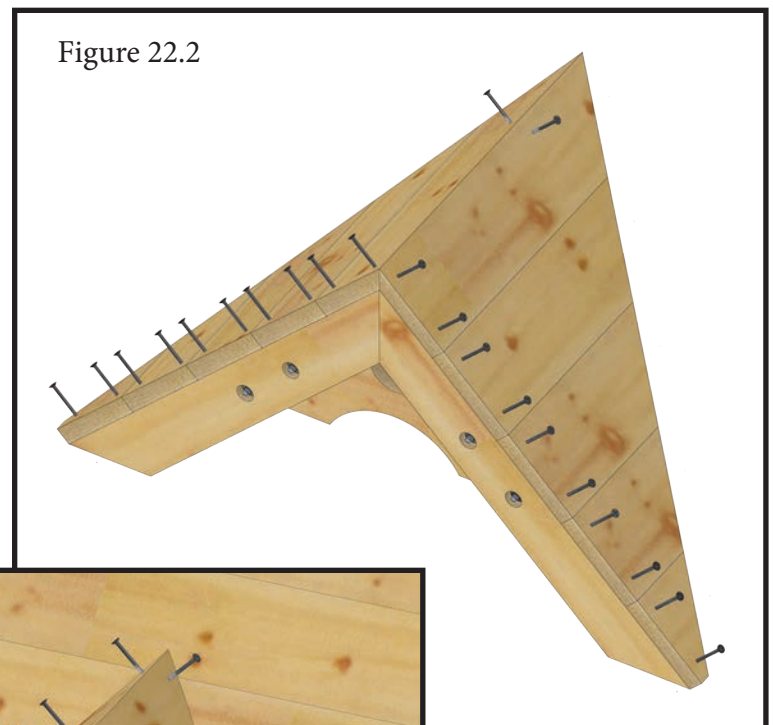
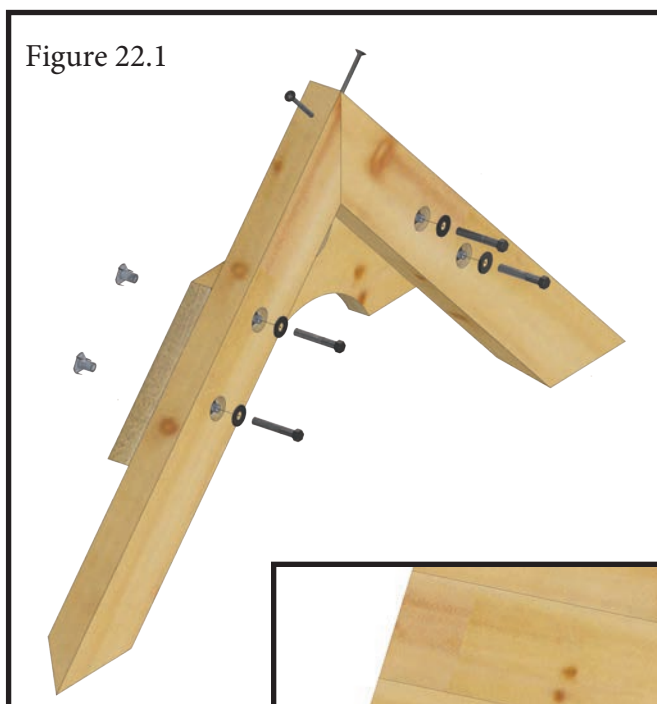


Step Twenty-Two: Dormer

22.1 Fasten Dormer Support-L and Dormer Support-R to Roof Brace with 5/16" x 2" Hex Bolts with 5/16" washers into T-Nuts as shown in Figure 21.1. Add two 2" screws to align each peak.

22.2 Pre-drill and fasten Dormer Boards (Peak L/R, 1 L/R, 2 L/R, 3 L/R, 4 L/R) in proper size order, to Dormer Support Assembly with 2" Screws as shown in Figure 22.2. Add two 2" screws to peak boards.

22.3 Pre-drill and fasten Dormer Assembly to Main Roof with 1-3/4" screws as shown in Figure 22.3.

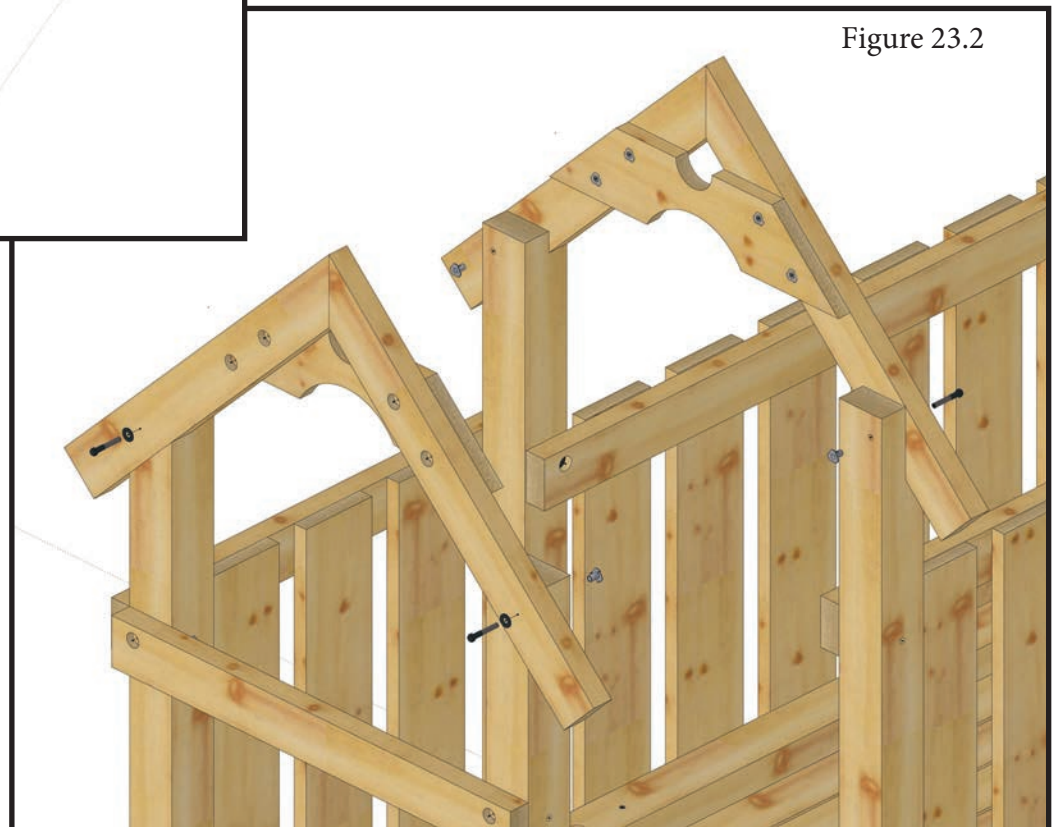
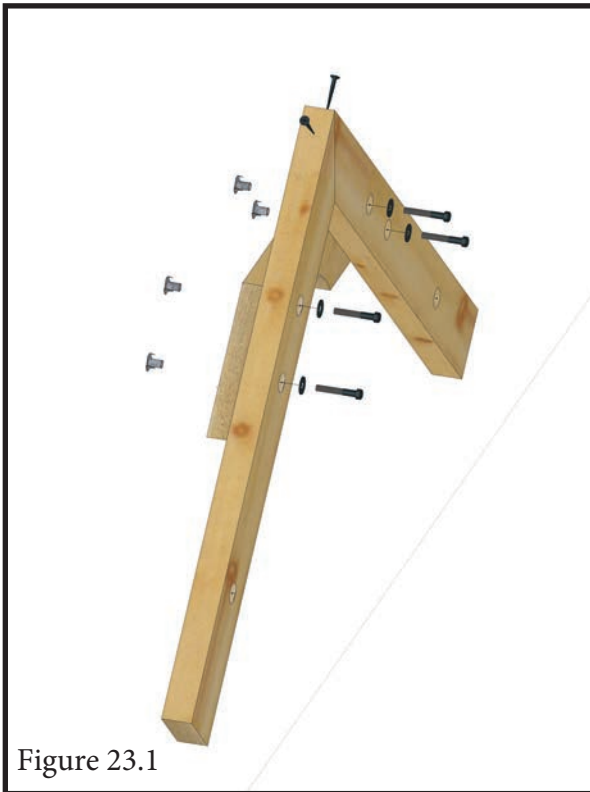


Step Twenty-Three: Tower Roof Rafter

23.1 Fasten Roof Rafter SH-L and Roof Rafter SH-R to Roof Brace with 5/16" x 2" Hex Bolts with 5/16" washers into t-nuts as shown in Figure 23.1 Repeat for opposite peak side.

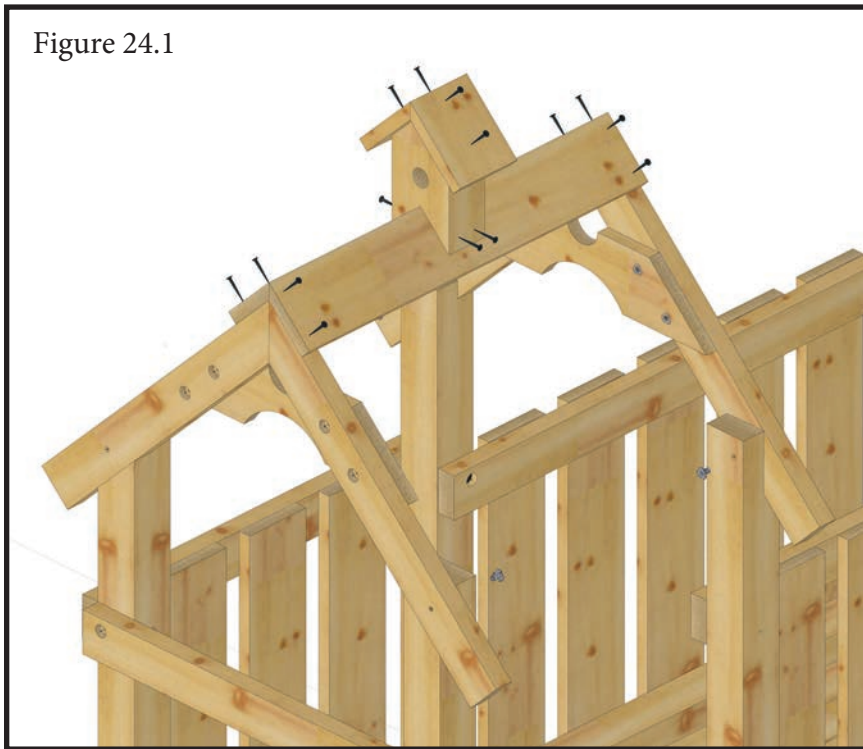
23.2 Add two 2" screws to align each peak.

23.3 Fasten Rafter Assembly to Corner Post with 5/16" x 3" Hex Bolts with 5/16" washer into T-Nuts as shown in Figure 23.2.



Step Twenty-Four: Tower Roof

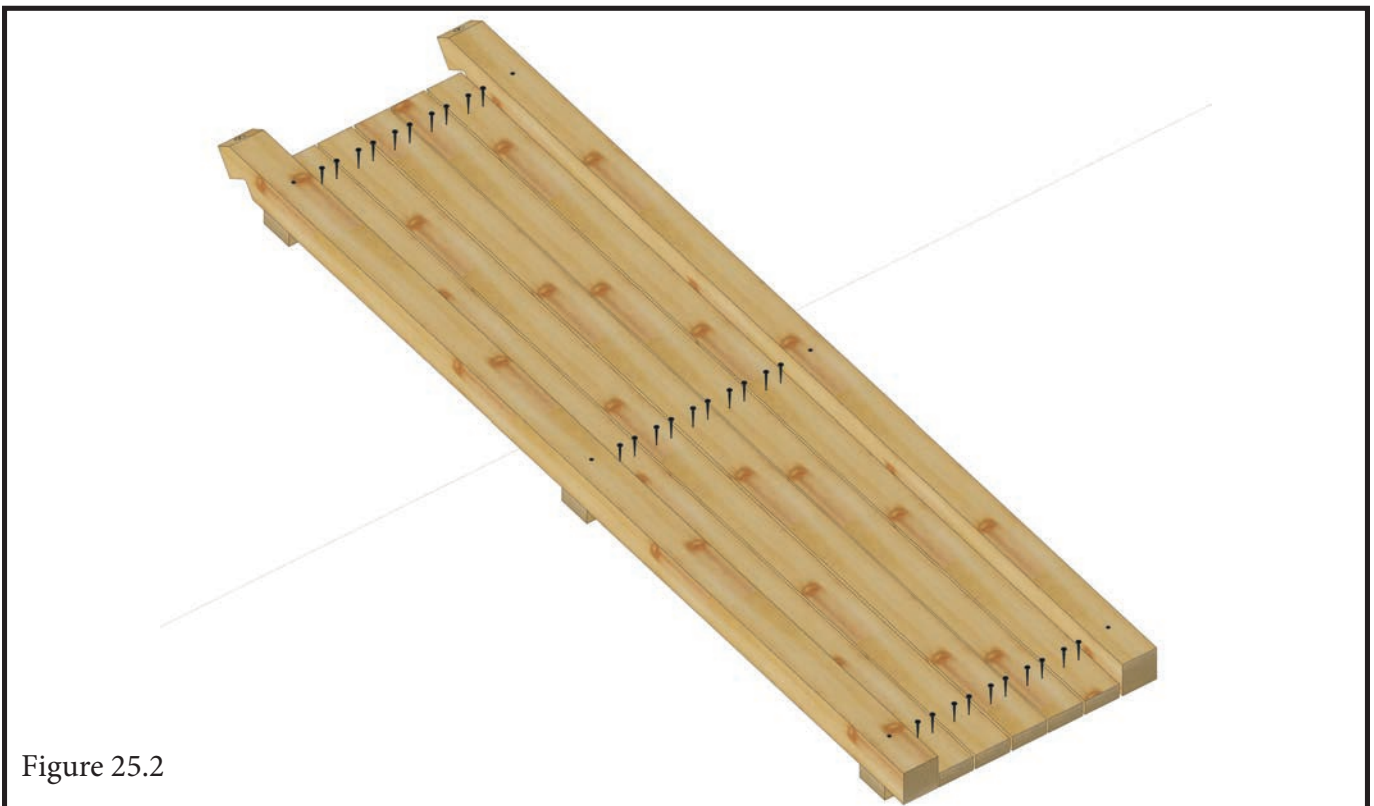
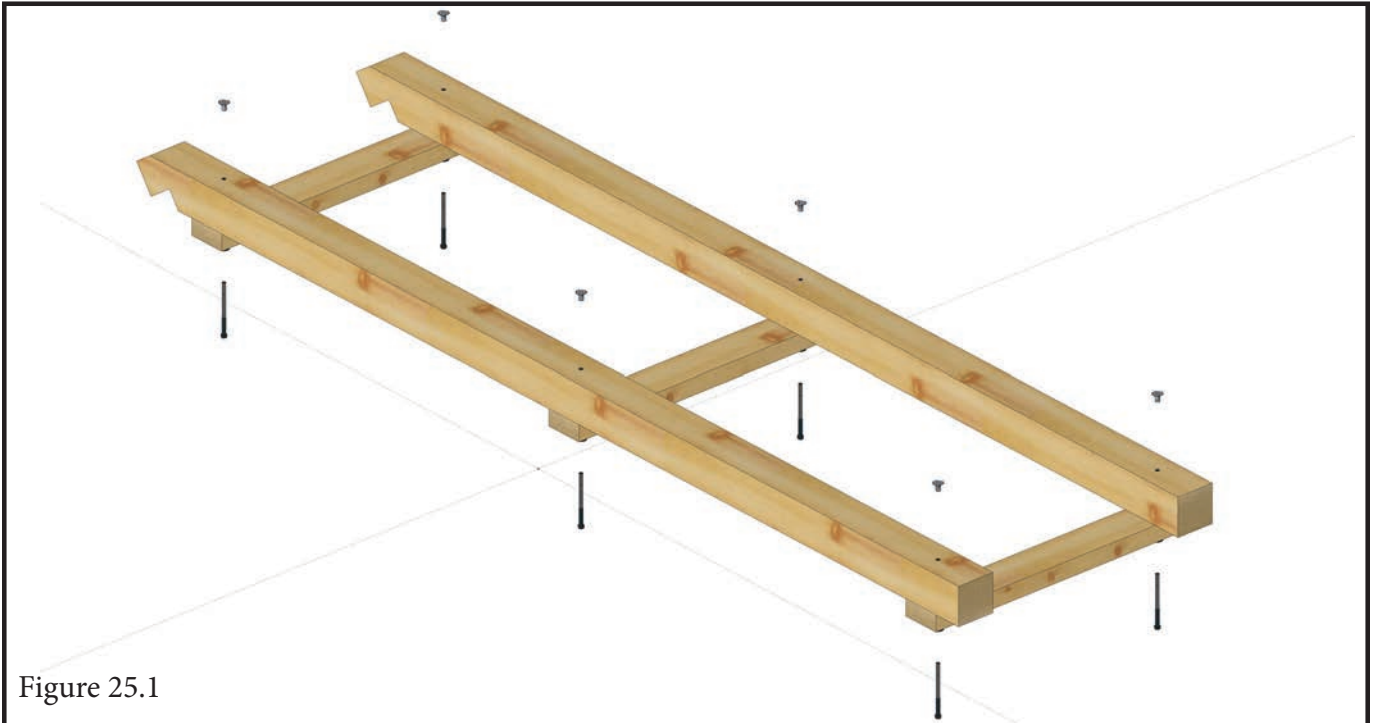
- 24.1 Pre-drill and fasten Roof Peak 33" to Rafter Assembly with 2" Screws as shown.
- 24.2 Pre-drill and fasten Cupola to Roof Peak Board with 2" Screws as shown (2 per side).
- 24.3 Pre-drill and fasten Cupola Roof to Cupola with 2" Screws as shown (2 per side).
- 24.4 Pre-drill and fasten remaining Roof Boards 33" to Rafter Assembly with 2" Screws.



Step Twenty Five: Ramp Pre-assembly

25.1 Fasten GW Deck Supports (3) to Ramp Runner with 5/16 x 4-1/2 Hex Bolts and 5/16 washer into T-Nut as shown in Figure 25.1

25.2 Pre-drill and fasten Ramp Boards (5) down with 2-1/2" (6 each) Screws as shown in Figure 25.2.



Step Twenty-Five Continue: Ramp Pre-assembly

25.3 Pre-drill and fasten Ramp Treads (7) down with 2" (5 each) Screws as shown in Figure 25.3. Start with the center Tread and work out. The spacing is 10".



Figure 25.3

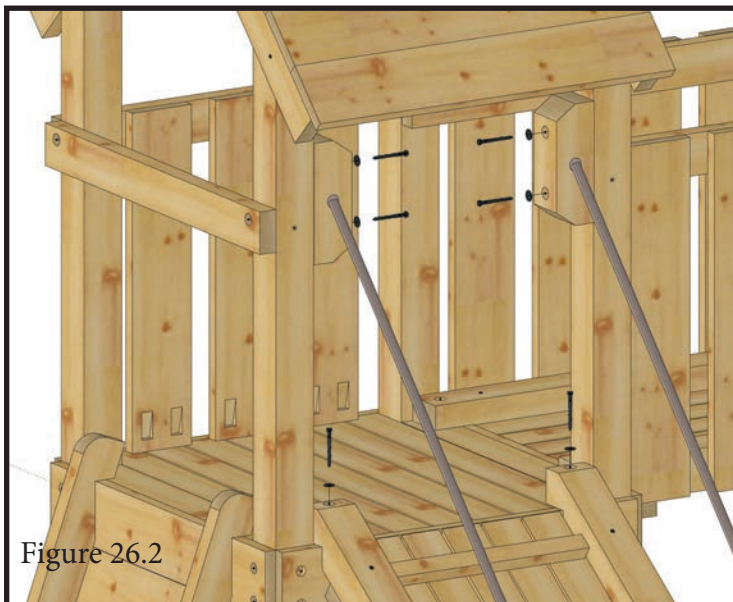
Step Twenty-Six: Ramp & Slide

26.1 Fasten Ramp Assembly to Tower deck with 5/16 x 3 Lag Bolts with 5/16 washer.

26.2 Tie Ramp Rope between Ramp and Ramp Blocks.

26.3 Fasten Ramp Blocks to tower with 5/16 x 5 Lag Bolts with 5/16 washer as shown in figure 26.2

26.4 Fasten the slide to the play set deck with (3) 2 " Pan Head Screws.



Step Twenty-Seven: A-Frame Pre-Assembly

27.1 Fasten Swing Legs to bracket with 3/8" x 4-1/2" Carriage Bolts with 1/2 Washers. Add 3/8" Washer, Lock Washer, and Nut as shown in Figure 27.1. Do Not Fully Tighten.

27.2 Fasten X-Member between Swing Legs with 5/16"x 4-1/2" Hex Bolts with 5/16" Washer into T-Nuts as shown in Figure 27.2. Do Not Fully Tighten.

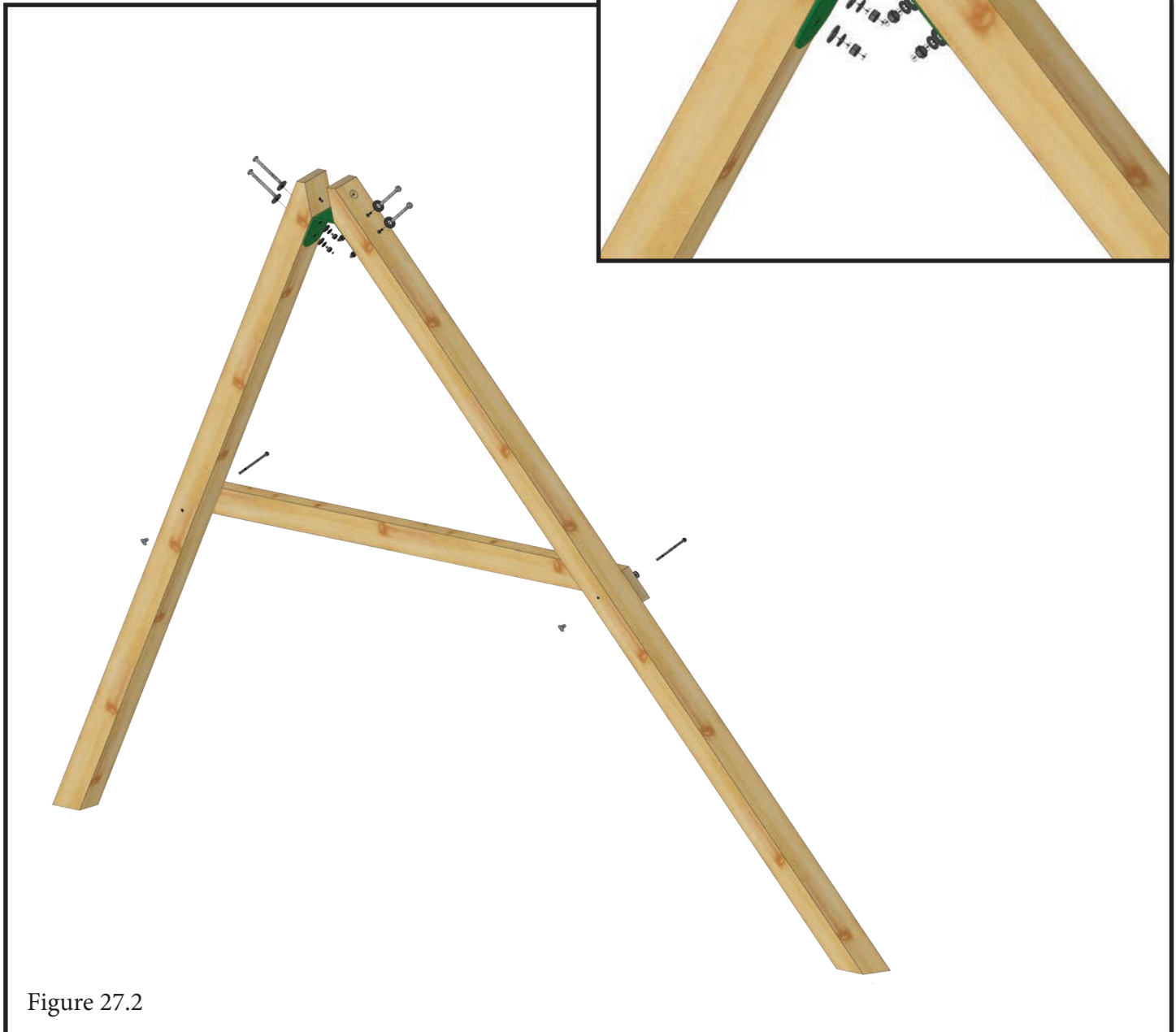
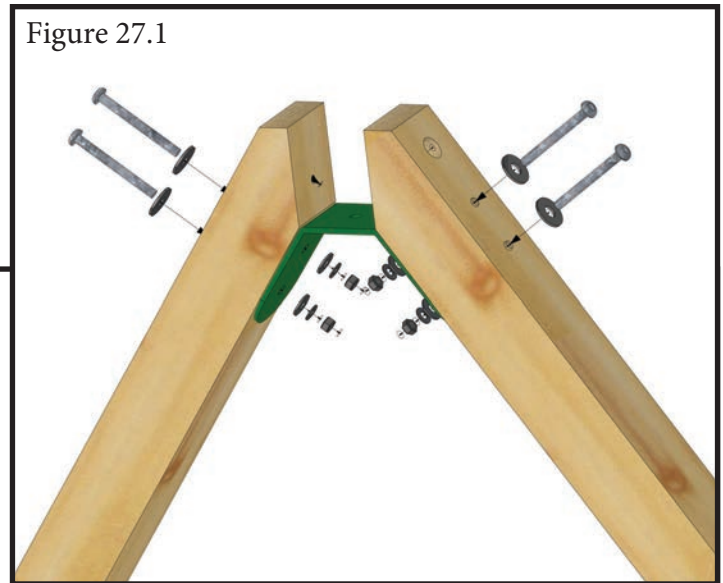
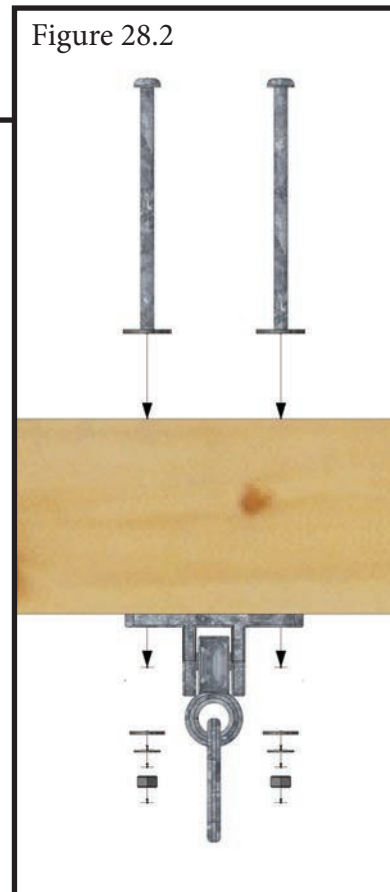
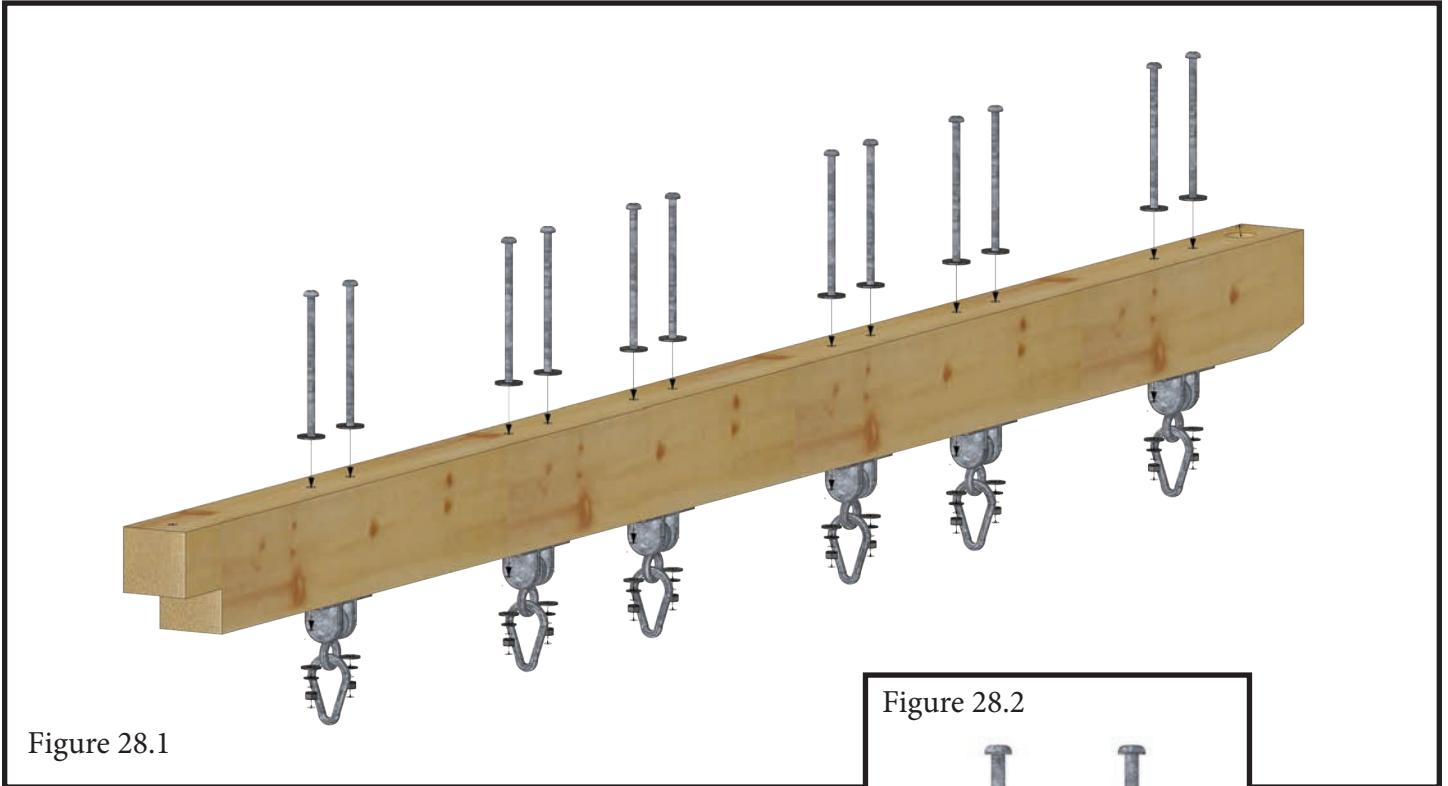


Figure 27.2

Step Twenty-Eight: Swing Beam Pre-Assembly

28.1 Fasten Swing Hangers to Swing Beam with 3/8" x 7" Carriage Bolts with 1/2" Washers. Add 3/8" Washer, Lock Washer, and Nut as shown in Figure 28.2. Tighten until 1/2" washers just start to "sink" into top of beam.

28.2 Snap Spring Clips to Swing Hangers.



Step Twenty-Nine: Swing Arm Assembly

29.1 Fasten Swing Beam Assembly to A-Frame Assembly with 3/8" x 5" Carriage Bolt with 1/2" Washer. Add 3/8" Washer, Lock Washer, and Nut. Tighten.

29.2 Fully tighten nuts from step Twenty-Seven.

29.3 Fasten the top of the Swing Legs into the Swing Beam with 5/16" x 3" Lag Bolts with 5/16" washer as shown in Figure 29.1.

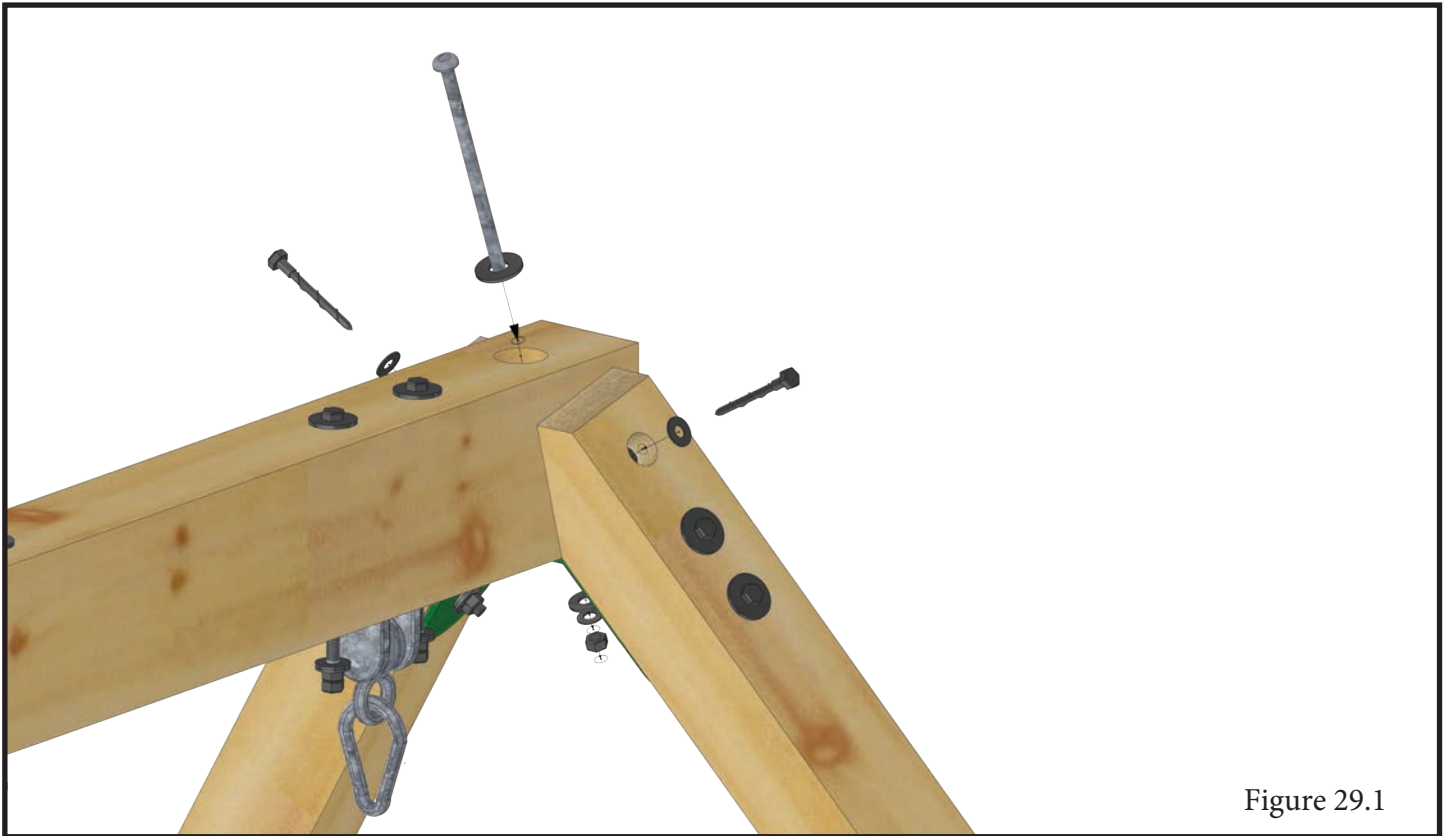


Figure 29.1

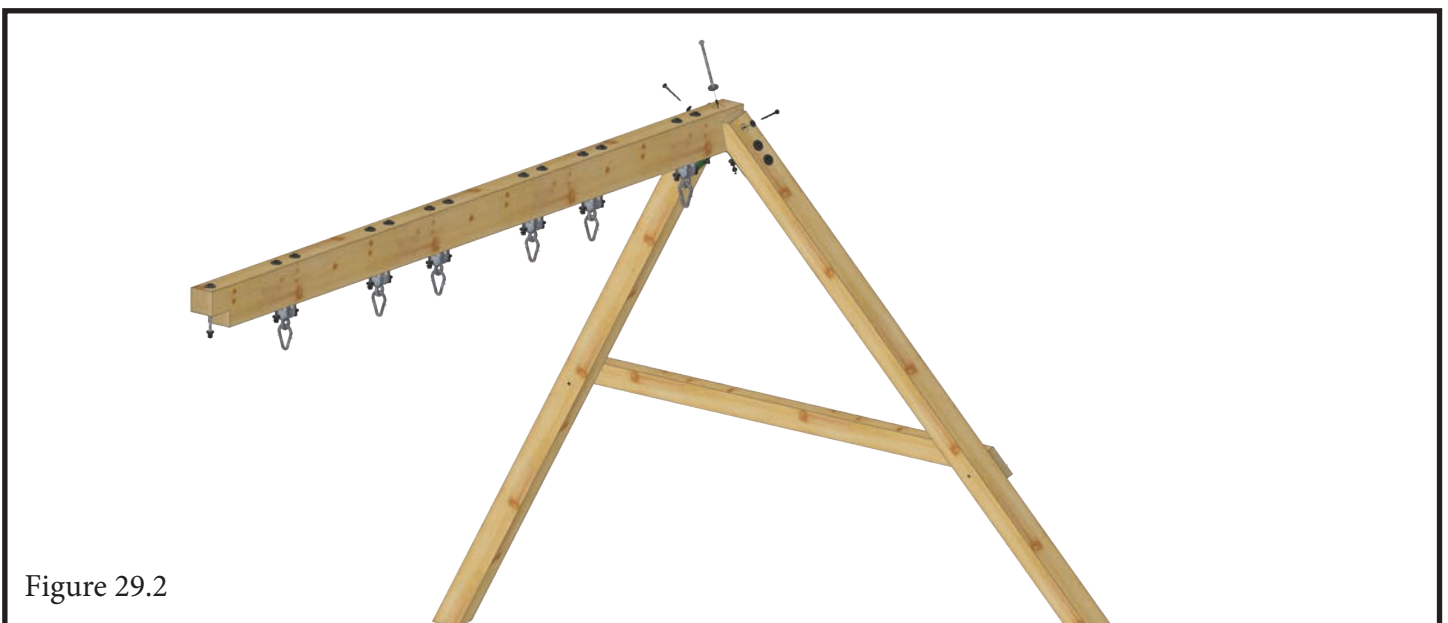


Figure 29.2

Step Thirty:

30.1 Fasten Swing Beam Assembly to Swing Beam Support with 3/8" x 7" Carriage Bolt with 1/2 Washer. Add 3/8" Washer, Lock Washer, and Nut. Tighten.



30.2 Fasten the swings to the spring clips at desired height on the chain.

