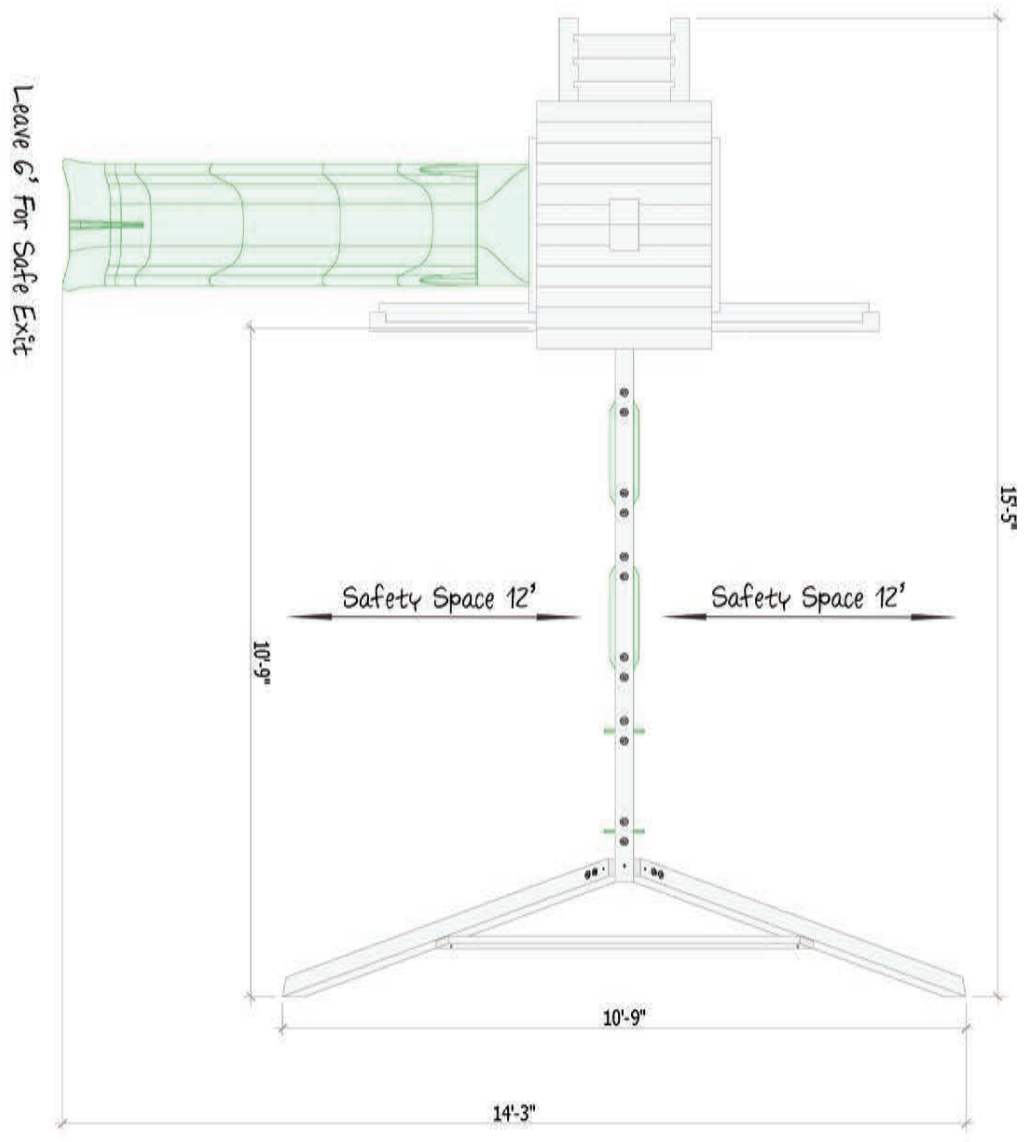


# Triumph Play Systems



## Festival Five Assembly Directions





# Festival Five

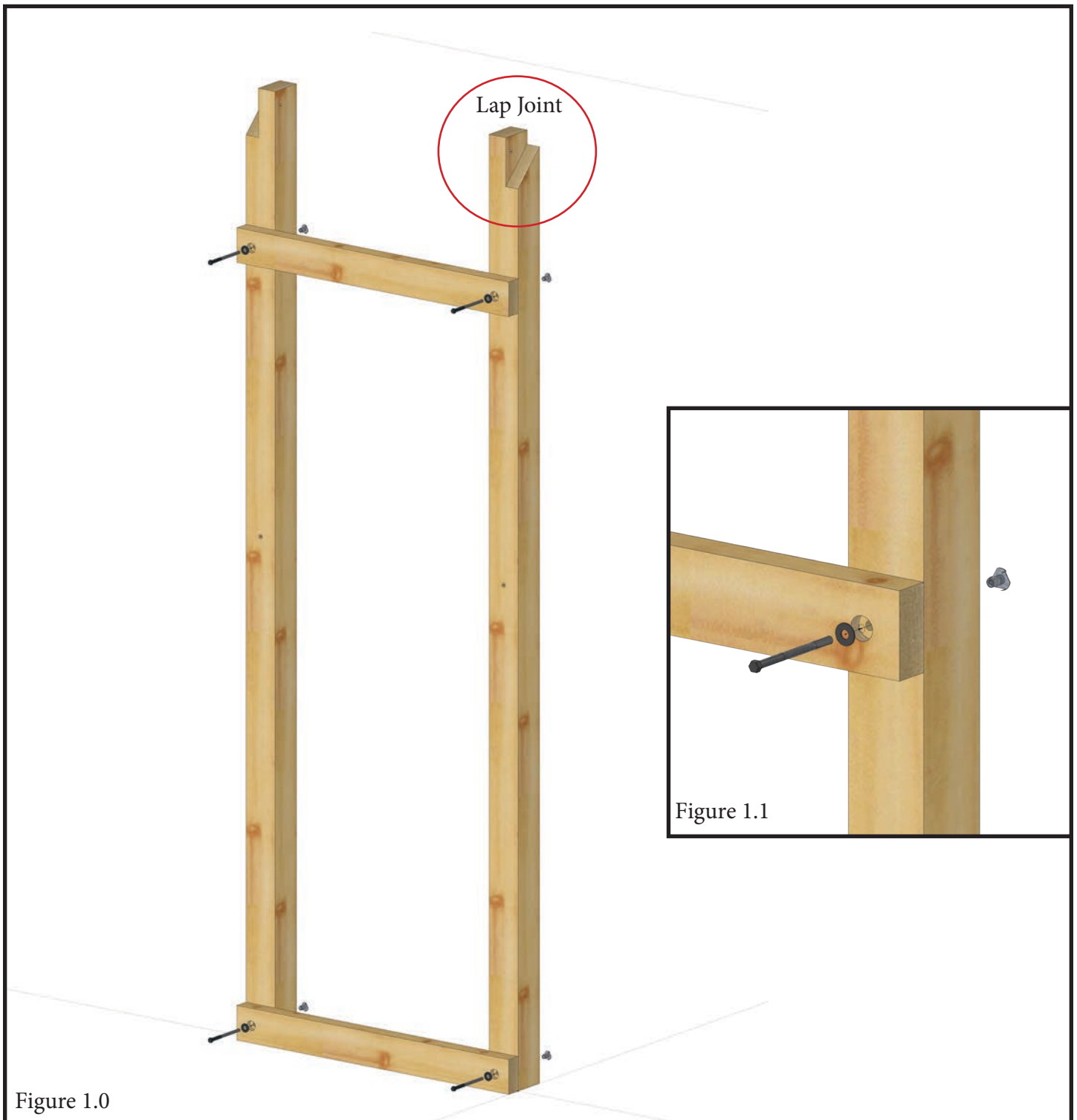
Triumph Play Systems  
 15 Maple Ave  
 Ashburnham, MA



## Step One: Side Wall Assembly

1.1 With a hammer, insert T-Nuts into Corner Post - L and Corner Post - R as shown in Figure 1.0. Note direction of the Lap Joints at the top of the posts.

1.2 Fasten Top Support to top and bottom of Corner post with 5/16 x 4-1/2 Hex Bolts with 5/16 washer as shown in Figure 1.1. Tighten until T-Nuts are flush with surface.



## Step Two: Swing Beam Side Wall Assembly

2.1 With a hammer, insert T-Nuts into Corner Post - L and Corner Post - R as shown in Figure 2.0. Note direction of the Lap Joints at the top of the posts.

2.2 Fasten Bottom Runner 96" to bottom of Corner Post with 5/16 x 6 Hex Bolts with 5/16 washer. Tighten until T-Nuts are flush with surface.

2.3 Fasten Swing Beam Support to Corner Post with 5/16 x 6 Hex Bolts with 5/16 washer. **Make sure the Countersink hole in center is facing down.**



Figure 2.0

### Step Three: Deck Supports

3.1 With a hammer, insert T-Nuts into the outside of Corner Post - L and Corner Post - R as shown in Figure 3.0.

3.2 Fasten Deck Support 33" to Corner Post with 5/16 x 6 Hex Bolts with 5/16 washer.



Figure 3.0

## Step Four:

4.1 Pre-drill and Fasten Deck Boards 26" to Deck Supports with #8x2-1/2 Screws (4 each) as shown in Figure 4.0.



## Step Five:

5.1 Fasten Top Panel Offset 33" (4) to Corner Post with 5/16 x 3 Lag Bolts with 5/16 washer as shown in Figure 5.0. Drive lags until washer starts to "sink" into wood.

5.2 Place the tower in desired location. Check for square, level under the frame and check the posts for plumb.



Figure 5.0



## Step Six: Angle Braces

6.1 Fasten Slim Sams (4) to Corner Posts and Deck Supports with 5/16 x 3 Lag Bolts with 5/16 washer as shown in Figure 6.0.

6.2 Fasten Knee Braces (Left & Right) to Corner Posts and Bottom Runner 96" with 5/16 x 3 Lag Bolts with 5/16 washer as shown in Figure 6.0.



Figure 6.0

## Step Seven: Deck Boards

7.1 Pre-drill and evenly space out deck board 33".

7.2 Fasten Deck Board 33" to Deck Supports with #8x2-1/2" screws (4 each) as shown in Figure 7.1.



Figure 7.0



Figure 7.1 Shows how to use the screws for spreading out deck boards with even spacing.

## Step Eight: Wall Slats

8.1 Pre-drill the top of the Pocket Slat 28”.

8.2 With roughly 2-1/4” spacing between slats, fasten the Pocket Slat 28” Boards down to the decks with 2” Screws as shown in Figure 8.1.

8.3 Fasten the top of the Pocket Slat 28” with 2” Screws as shown in Figure 8.0.



Figure 8.0



Figure 8.1 Shows how the large pockets allow for angling the screws to ensure proper alignment into the deck boards.

## Step Nine: Ladder Pre-Assembly

9.1 Place Ladder Steps into Dado pockets of Ladder Runners as shown in Figure 9.0.

9.2 Pre-drill and fasten Steps with 4" Screws as shown in Figure 9.1.

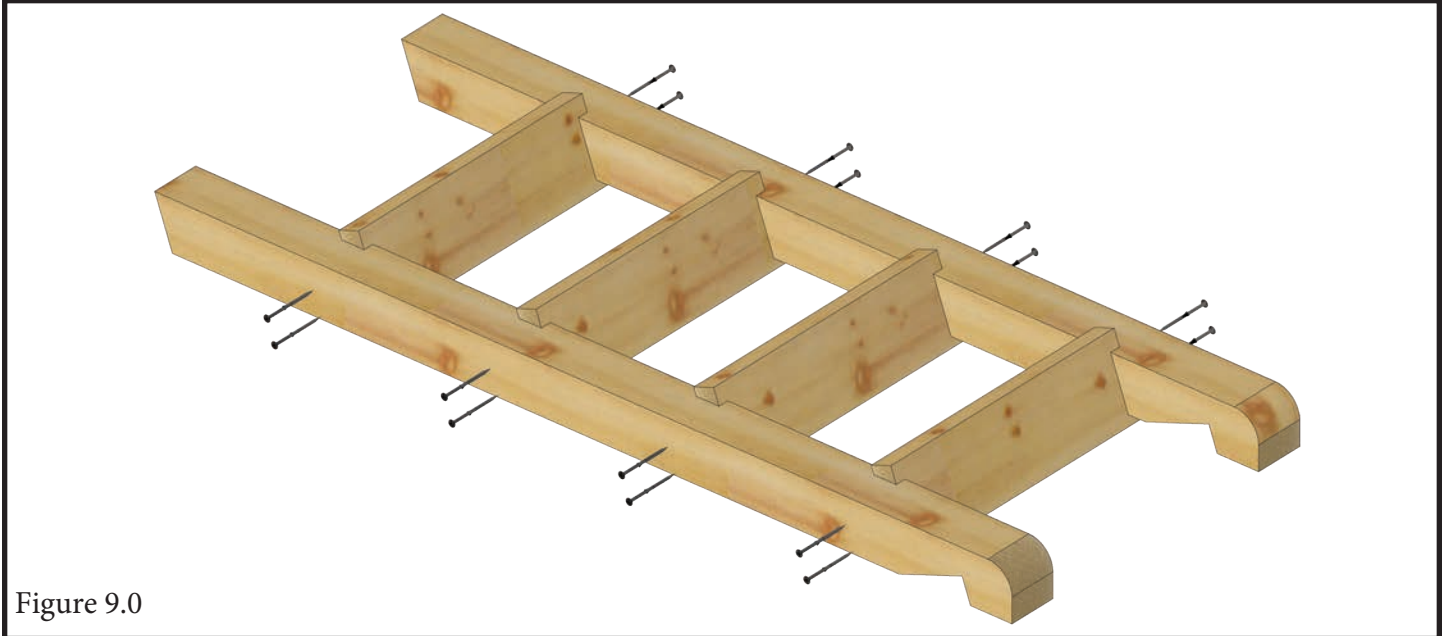


Figure 9.0

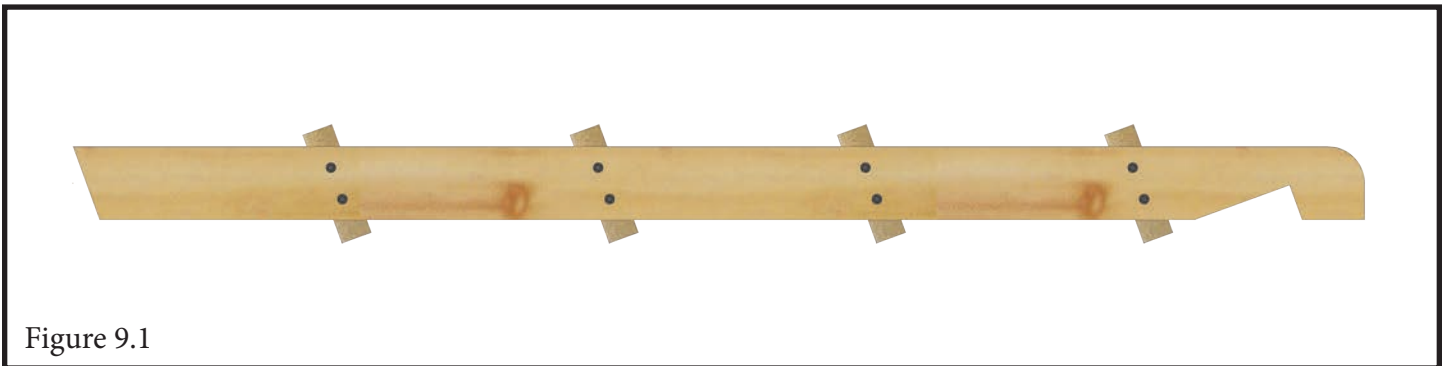


Figure 9.1



## Step Ten: Fascia Boards

10.1 Fasten Fascia 33" Mount to back of the Assembled Ladder with 5/16 x 3 Lag Bolts with 5/16 washer as shown in Figure 10.1.

10.2 Fasten Fascia 33" Mount with Ladder Assembly to Corner Post with 1/4 x 2-1/2 Lag Bolts with 1/4 washer as shown in Figure 10.3.

10.3 Fasten Fascia 33" (3) to Corner Post with 1/4 x 2-1/2 Lag Bolts with 1/4 washer as shown in Figure 10.3. **Mind the offset pattern as shown in Figure 10.2.**

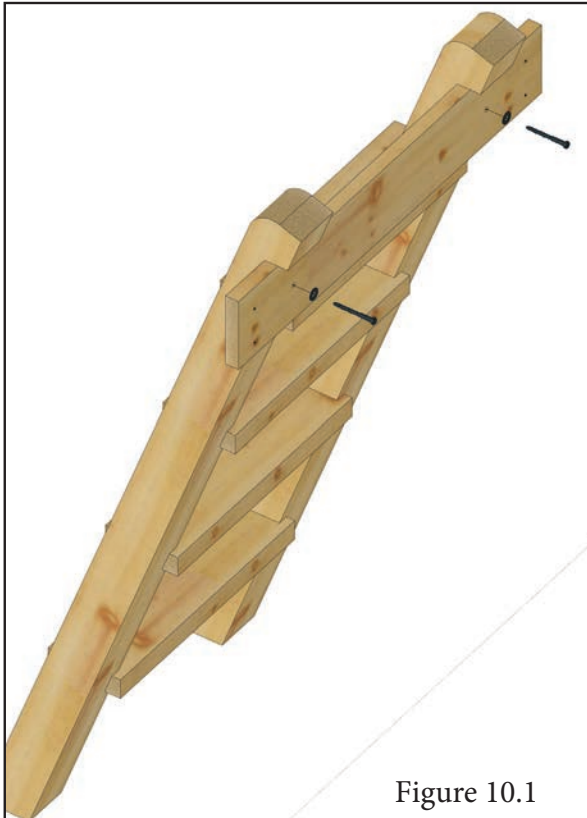


Figure 10.1

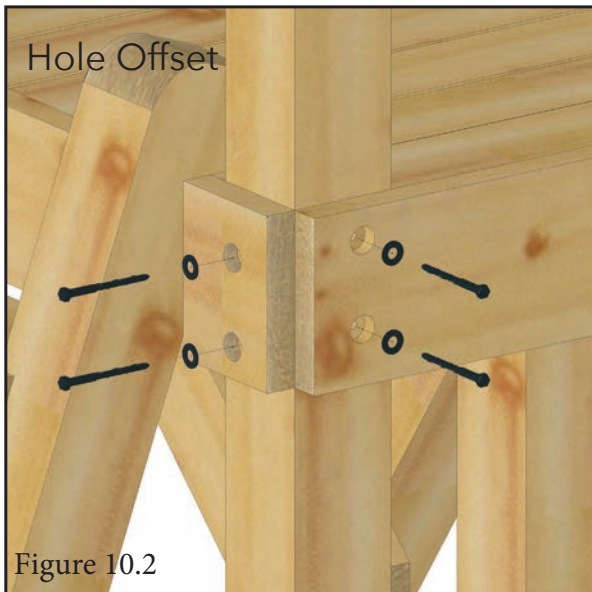


Figure 10.2

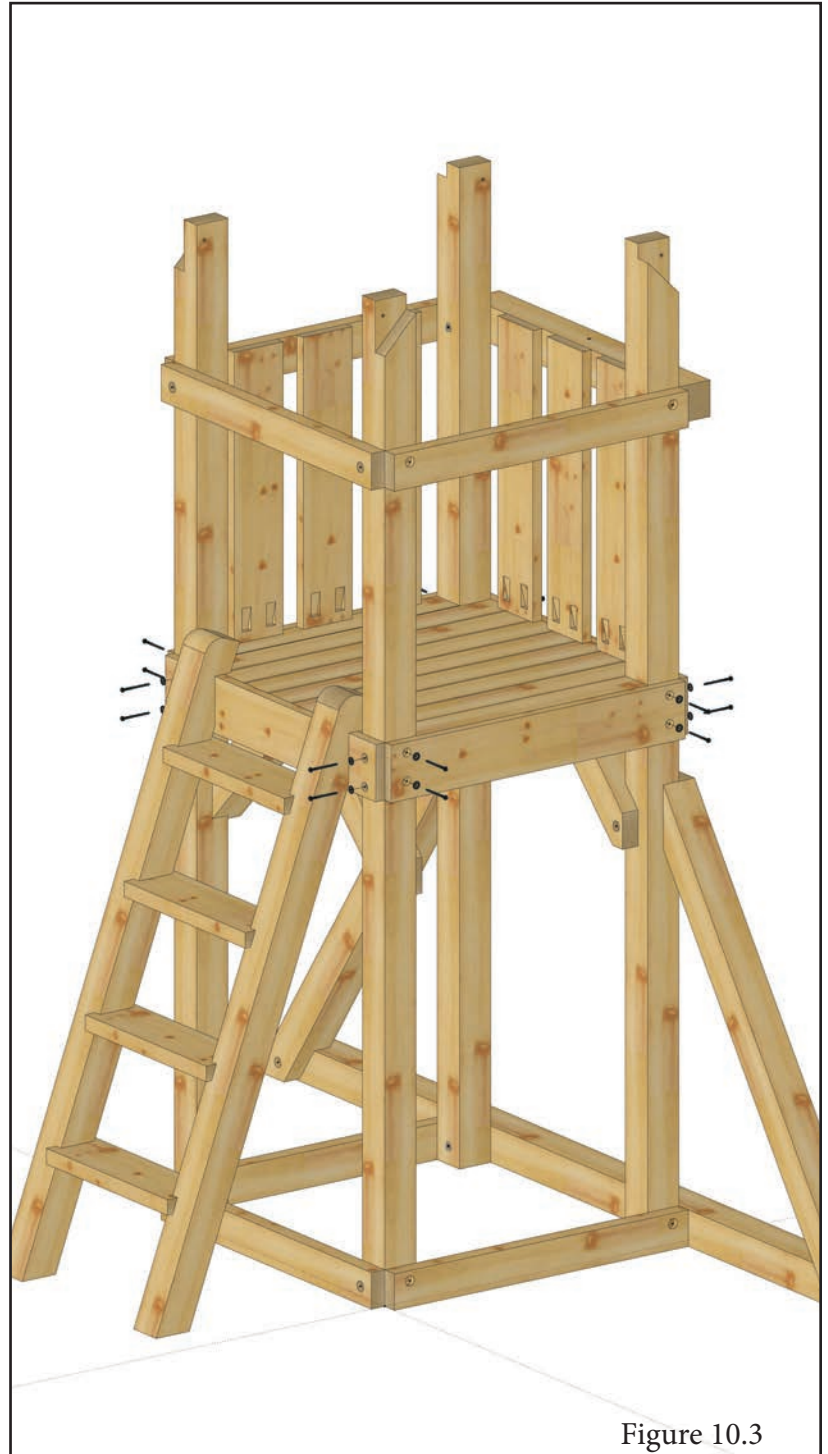


Figure 10.3

## Step Eleven: Roof Rafter

11.1 Fasten Roof Rafter SH-L and Roof Rafter SH-R to Roof Brace with 5/16" x 2" Hex Bolts with 5/16" washers into t-nuts as shown in Figure 11.0. Repeat for opposite peak side.

11.2 Add two 2" screws to align each peak.

11.3 Fasten Rafter Assembly to Corner Post with 5/16" x 3" Hex Bolts with 5/16" washer into T-Nuts as shown in Figure 11.1.

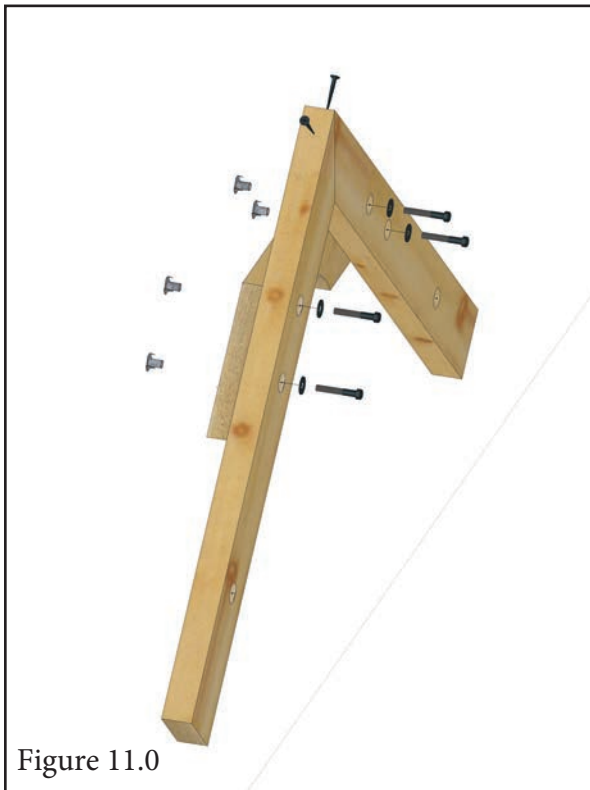


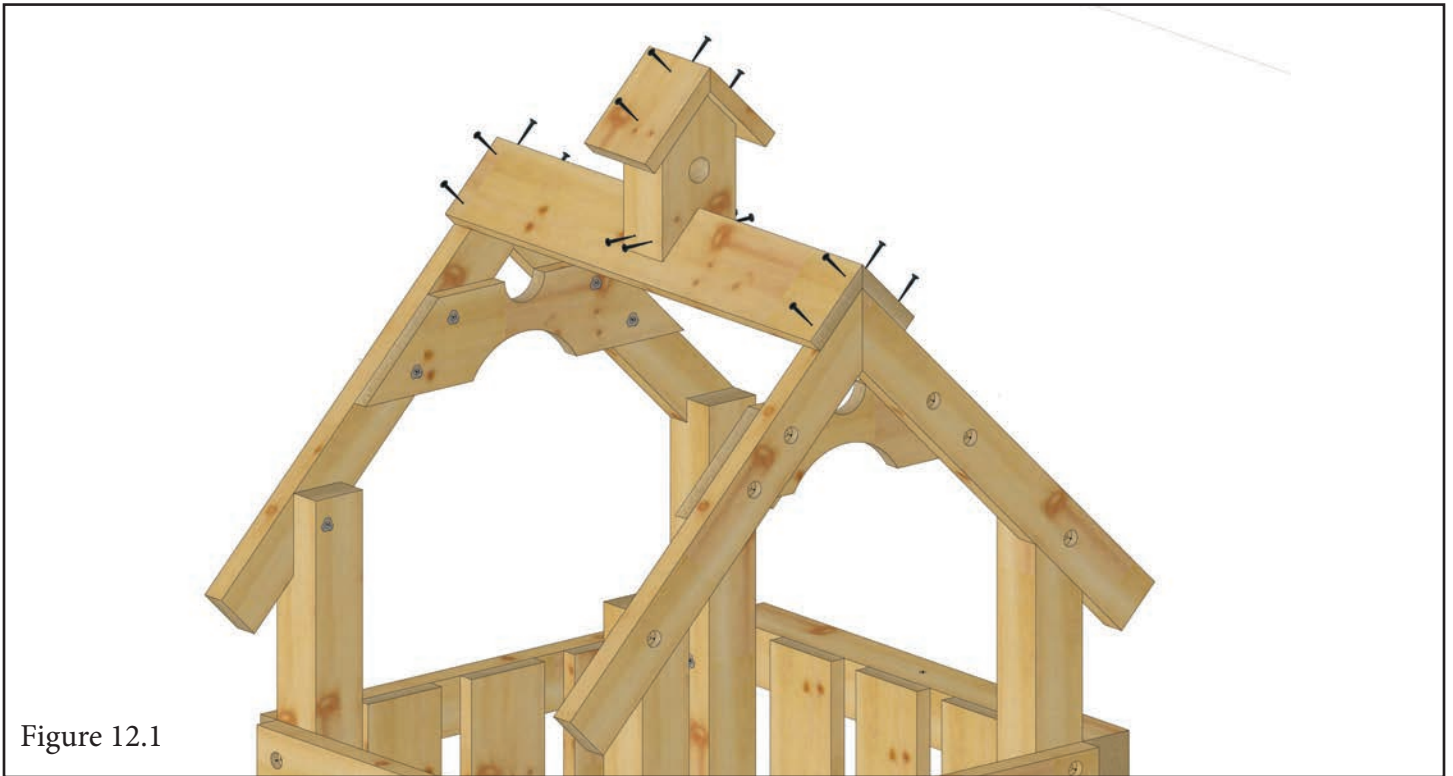
Figure 11.0



Figure 11.1

## Step Twelve:

- 12.1 Pre-drill and fasten Roof Peak Boards to Rafter Assembly with 2" Screws as shown.
- 12.2 Pre-drill and fasten Cupola to Roof Peak Board with 2" Screws as shown (2 per side).
- 12.3 Pre-drill and fasten Cupola Roof to Cupola with 2" Screws as shown (2 per side).
- 12.4 Pre-drill and fasten remaining Roof Boards to Rafter Assembly with 2" Screws.



### Step Thirteen: A-Frame Pre-Assembly

13.1 Fasten Swing Legs to bracket with 3/8" x 4-1/2" Carriage Bolts with 1/2 Washers. Add 3/8" Washer, Lock Washer, and Nut as Shown in Figure 13.1. **Do Not Fully Tighten.**

13.2 Fasten X-Member between Swing Legs with 5/16"x 4-1/2" Hex Bolts with 5/16" Washer into T-Nuts as Shown in Figure 13.0. **Do Not Fully Tighten.**

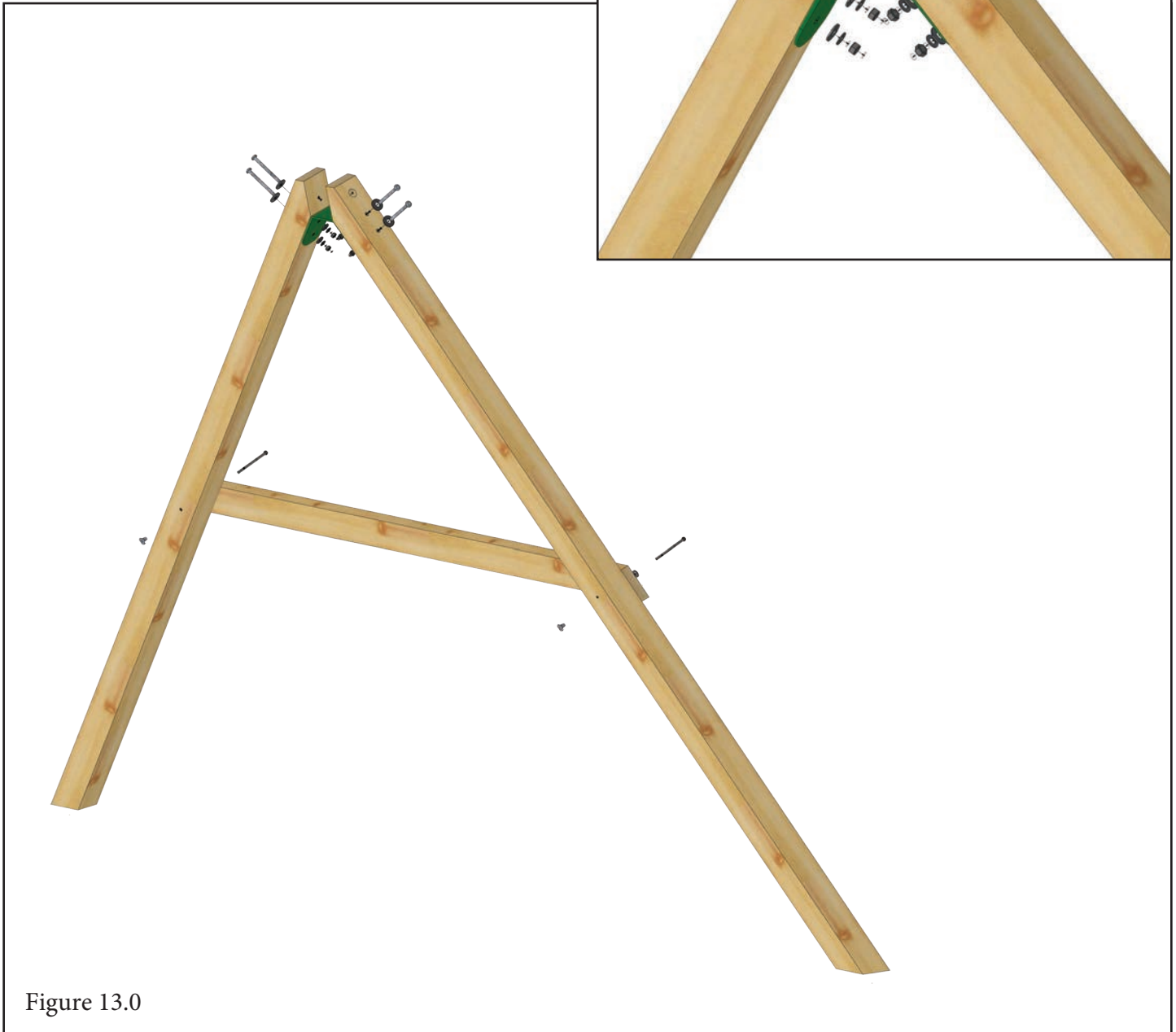
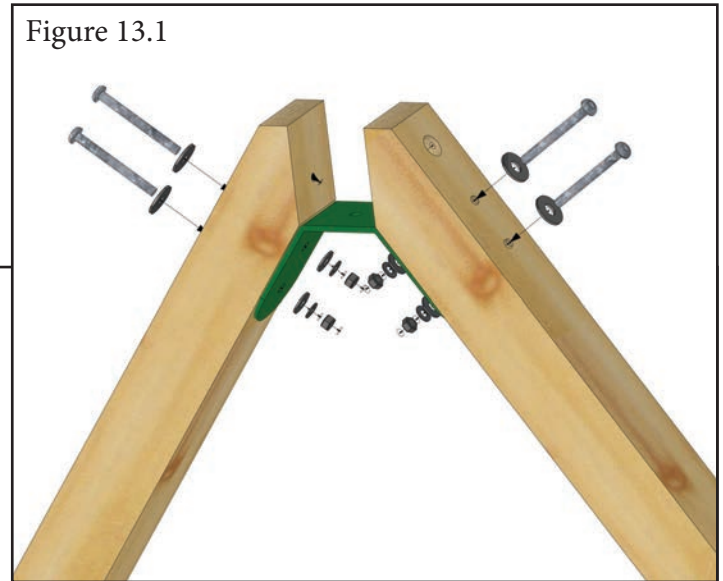


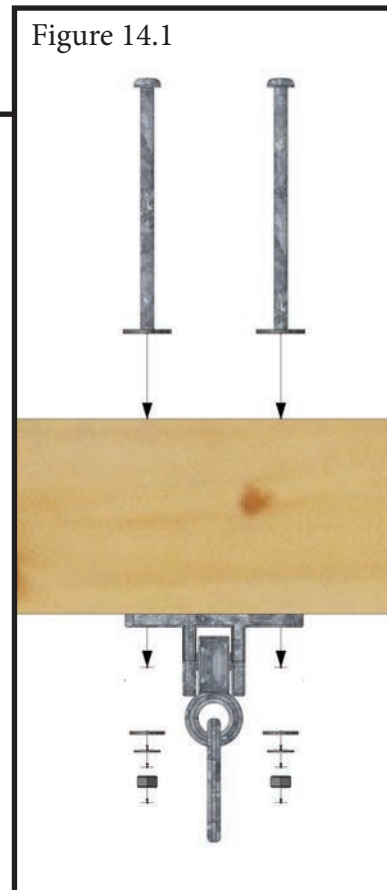
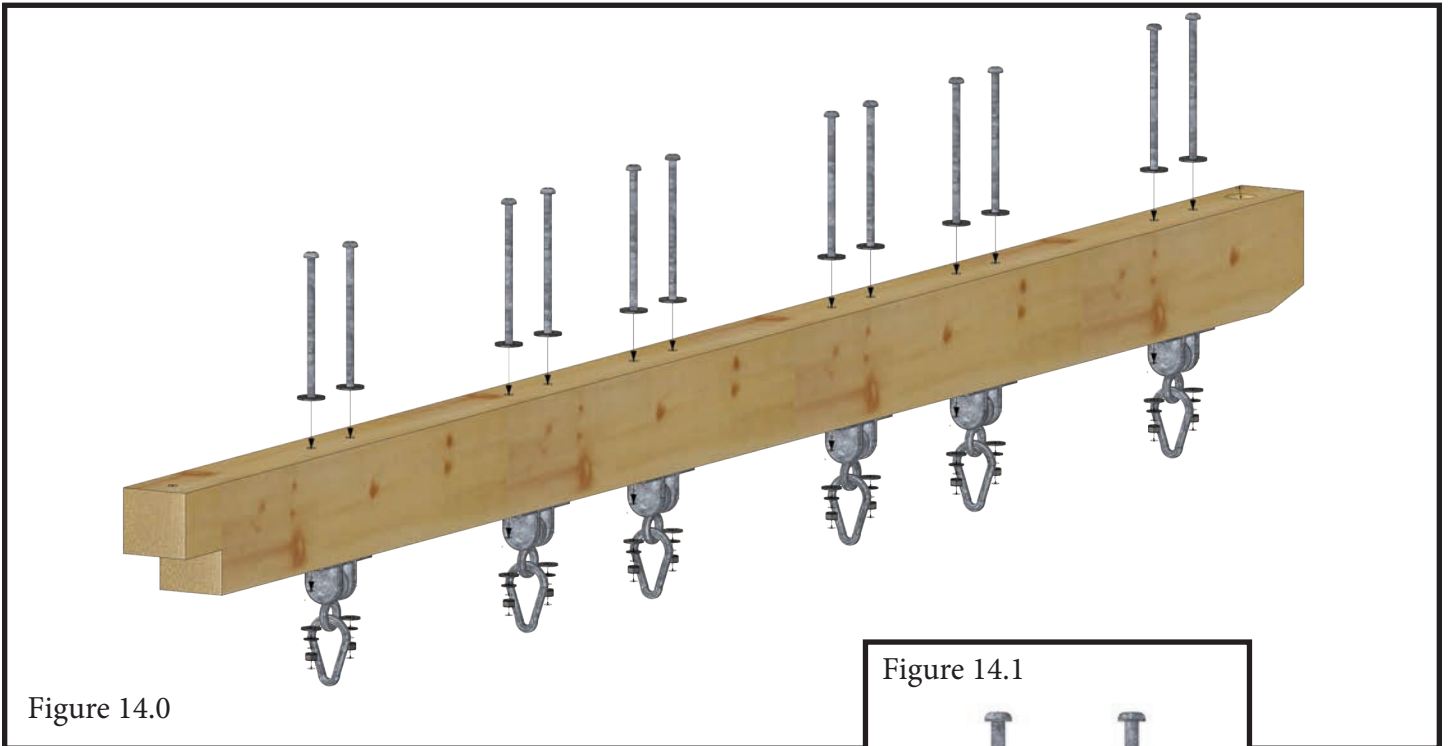
Figure 13.0



## Step Fourteen: Swing Beam Pre-Assembly

14.1 Fasten Swing Hangers to Swing Beam with 3/8" x 7" Carriage Bolts with 1/2 Washers. Add 3/8" Washer, Lock Washer, and Nut as Shown in Figure 14.1. Tighten until 1/2" washers just start to "sink" into top of beam.

14.2 Snap Spring Clips to Swing Hangers.

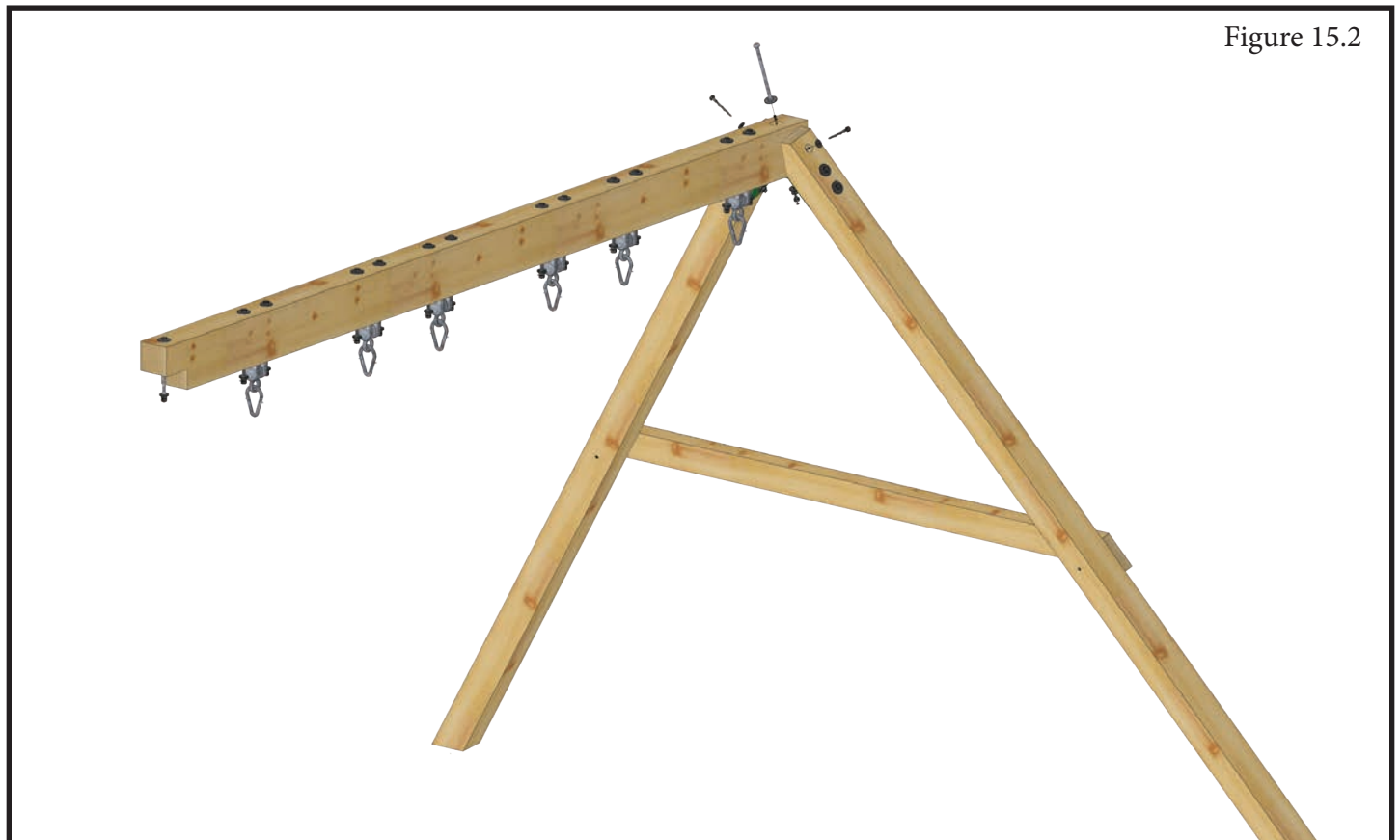
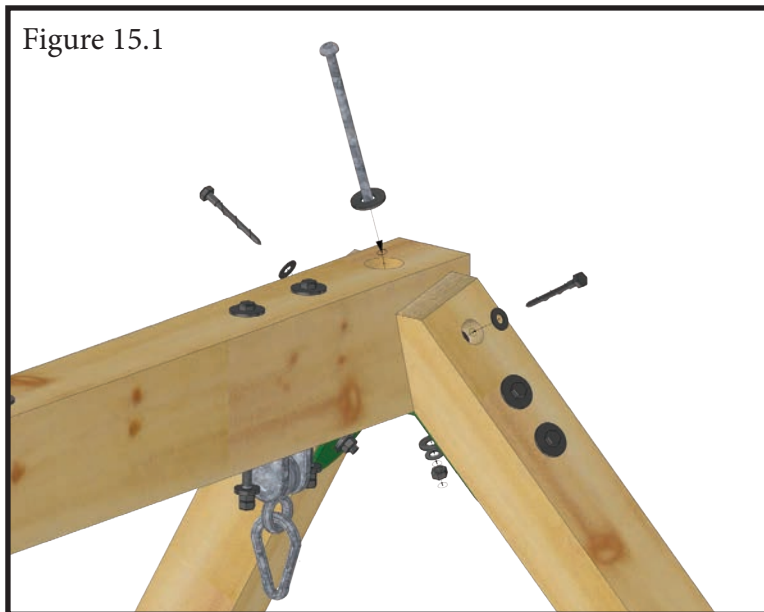


## Step Fifteen: Swing Arm Assembly

15.1 Fasten Swing Beam Assembly to A-Frame Assembly with 3/8" x 5" Carriage Bolt with 1/2 Washer. Add 3/8" Washer, Lock Washer, and Nut. Tighten.

15.2 Fully tighten Nuts from step Thirteen.

15.3 Fasten the top of the Swing Legs into the Swing Beam with 5/16" x 3" Lag Bolts with 5/16" washer as shown in Figure 15.1



**Step Sixteen:**

16.1 Fasten Swing Beam Assembly to Swing Beam Support with 3/8" x 7" Carriage Bolt with 1/2 Washer. Add 3/8" Washer, Lock Washer, and Nut. Tighten.

16.2 Fasten the slide to the play set deck with (3) 2" Pan Head Screws.

16.3 Fasten the swings to the spring clips at desired height on the chain.



Figure 16.1



Figure 16.2



Figure 16.3